

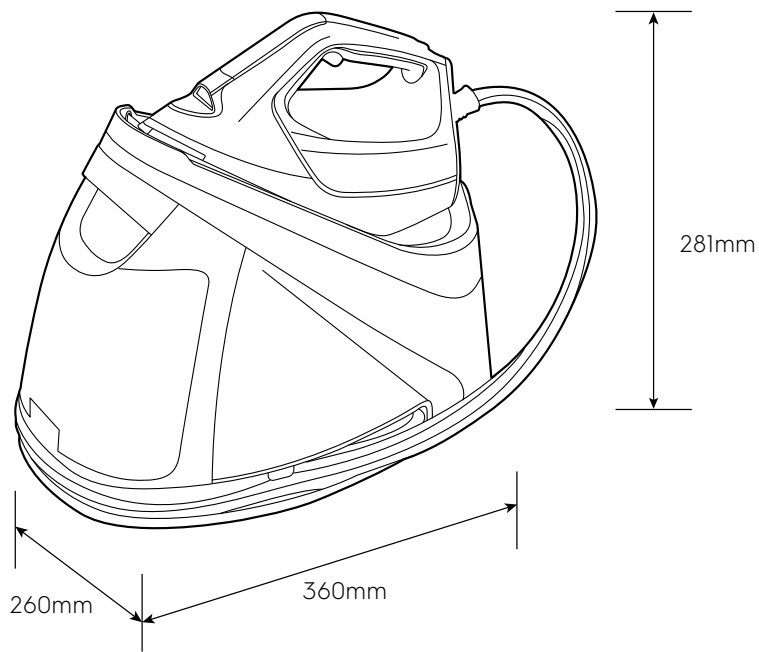
Dimension Guide

Steam Iron Station

Model:

E8SSI-80GM

Dimensions			
	width	height	depth
Product (mm)	360	281	260



Please note! Dimensions to be used as a guide only. All customers MUST refer to the user manual supplied with the product for detailed installation instructions.

© 2022 Electrolux S.E.A PTE. LTD. E_DIM_E8SSI-80GM_Apr22