



(GCC COUNTRYS ONLY)



(GCC COUNTRYS ONLY)



(GCC COUNTRYS ONLY)



(GCC COUNTRYS ONLY)



(GCC COUNTRYS ONLY)



(GCC COUNTRYS ONLY)



(GCC COUNTRYS ONLY)

**EN** Air Conditioner  
**AR** العربية مكيف الهواء  
**FR** Climatiseur

User Manual  
دليل المستخدم  
Manuel D'utilisation



**Electrolux**

# CONTENTS

1. SAFETY INSTRUCTIONS .....	3
2. PRODUCT DESCRIPTION .....	5
3. INDOOR UNIT DISPLAY .....	6
4. REMOTE CONTROLLER .....	6
5. REMOTE CONTROLLER DESCRIPTION .....	8
6. HOW TO USE THE REMOTE CONTROLLER .....	13
7. HOW TO USE THE INDOOR UNIT .....	19
8. OPERATING TEMPERATURE .....	20
9. EMERGENCY OPERATION .....	20
10. CLEANING AND MAINTENANCE .....	21
11. OPERATION TIPS .....	23
12. TROUBLESHOOTING .....	25
13. CORRECT DISPOSAL OF THIS PRODUCT .....	26

## WE'RE THINKING OF YOU

Thank you for purchasing an Electrolux appliance. You've chosen a product that brings with it decades of professional experience and innovation. Ingenious and stylish, it has been designed with you in mind. So whenever you use it, you can be safe in the knowledge that you'll get great results every time.

Welcome to Electrolux.

### Visit our website to:



Get usage advice, brochures, trouble shooter, service information:  
**[www.electrolux.com](http://www.electrolux.com)**



Register your product for better service:  
**[www.electrolux.com/productregistration](http://www.electrolux.com/productregistration)**



Buy Accessories, Consumables and Original spare parts for your appliance:  
**[www.electrolux.com/shop](http://www.electrolux.com/shop)**

## CUSTOMER CARE AND SERVICE

We recommend the use of original spare parts.

When contacting Service, ensure that you have the following data available.

The information can be found on the rating plate. Model, PNC, Serial Number



Warning / Caution-Safety information.



General information and tips



Environmental information.

Subject to change without notice.

# 1. SAFETY INSTRUCTIONS

Before the installation and use of the appliance, carefully read the supplied instructions. The manufacturer is not responsible if an incorrect installation and use causes injuries and damages. Always keep the instructions with the appliance for future reference.

## 1.1 Children and vulnerable people safety



### **WARNING!**

Risk of suffocation, injury or permanent disability.

- This appliance is not intended for use by persons (including children) with reduced physical, sensory or mental capabilities, or lack of experience and knowledge, unless they have been given supervision or instruction concerning use of the appliance by a person responsible for their safety.
- Children should be supervised to ensure that they do not play with the appliance.

## 1.2 Installation and Use



### **WARNING!**

Risk of suffocation, injury or permanent disability.

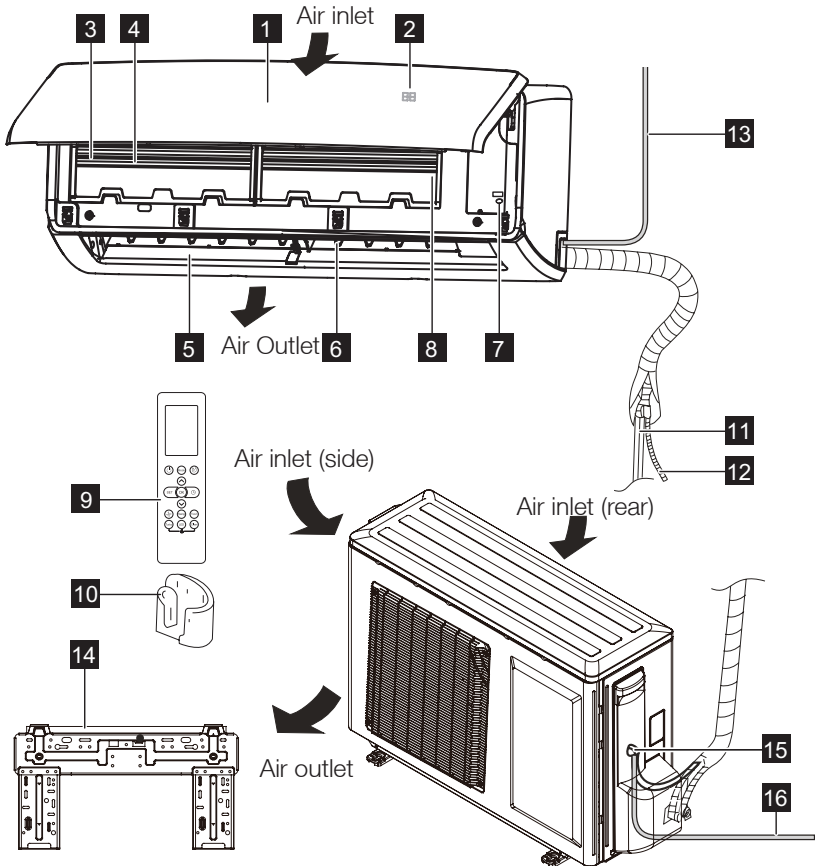
- Contact an authorised installer for installation of this unit.
- Contact an authorised service technician for repair or maintenance of this unit.
- The socket outlet required to supply power must be connected and commissioned by a licenced contractor.
- If the supply cord is damaged, it must be replaced by the manufacturer, its service agent or similarly qualified persons in order to avoid a hazard.
- Installation work must be performed in accordance with the national wiring standards and the electricity suppliers service rules by authorised personnel only.
- If the unit is to be moved to another location or disposed of, only a suitable qualified person is permitted to undertake such work.
- If you notice an unusual situation, such as a burning smell, please switch off the power to the air conditioner and contact an Electrolux service agent. If this abnormal status continues the air conditioner may be damaged or even cause electric shock or fire.
- Do not operate the air conditioner with wet hands. This may cause electric shock.
- Do not damage or cut off the power cord or other wires. If this occurs, please have it repaired or replaced by an accredited technician.
- Do not connect this air conditioner to a multi outlet power board.
- Please switch off the power supply to the air conditioner if it is not to be used for an extended period. Otherwise, it will accumulate dust and may cause a fire.
- Before cleaning the air conditioner, please disconnect the power supply in order to eliminate the possibility of electric shock.
- The power supply should be matched with the air conditioner. Air conditioners provided with a supply cord should be connected directly to a power outlet with a suitable safety switch. Air conditioners that are hard wired must be connected to a suitable safety circuit breaker.
- Please ensure that the power supply to the air conditioner is stable and meets the requirements set out in the installation manual.
- Always ensure the product is installed with appropriate earthing.
- For safety, be sure to turn off the circuit breaker before performing any maintenance or cleaning or when the

product is not used for an extended period of time. Accumulated dust may cause fire or electric shock.

- Select the most appropriate temperature. It can save electricity.
- Do not keep windows and doors open for a long time during operation. It will result in insufficient performance.
- Do not block the air inlet or outlet. It will result in insufficient performance and cause malfunctions.
- Keep combustible materials away from the units at least 1 meter. It may cause fire.
- Do not step on the top of the outdoor unit or place heavy things on it. It may cause damage or injury.
- Do not attempt to repair the air conditioner by yourself. Incorrect repairs may cause electric shock or fire. Please contact your local authorised service centre.
- Do not insert your hands or objects into the air inlet or outlet. It may cause injury.
- Do not expose animals or plants directly to the airflow.
- Do not use the unit for any other purpose, such as preserving food or drying clothes.
- Do not splash water on the air conditioner. It may cause electric shock or malfunction.

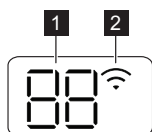
## 2. PRODUCT DESCRIPTION

**i** All the pictures in this manual are for explanation purposes only. The actual shape of the indoor unit you purchased may be slight different on front panel and display window. The actual shape shall prevail.



- |          |                                   |           |                                       |
|----------|-----------------------------------|-----------|---------------------------------------|
| <b>1</b> | Front panel                       | <b>9</b>  | Remote controller                     |
| <b>2</b> | Digital display                   | <b>10</b> | Remote controller Holder (some units) |
| <b>3</b> | Air filter                        | <b>11</b> | Refrigerant pipe                      |
| <b>4</b> | Pre-dust filter                   | <b>12</b> | Drain hose                            |
| <b>5</b> | Horizontal air flow louver        | <b>13</b> | Power cable (some units)              |
| <b>6</b> | Vertical air flow louver (inside) | <b>14</b> | Mounting plate                        |
| <b>7</b> | Manual control button             | <b>15</b> | Connecting cable                      |
| <b>8</b> | Ion generator (if applicable)     | <b>16</b> | Power cable (some units)              |

### 3. INDOOR UNIT DISPLAY



#### 1 TEMPERATURE indication lamp

- Displays the setting or room temperature when the unit is operational.
- Displays the malfunction code when fault occurs.
- Displays the feature code when some feature is activated.

#### 2 Wireless indication lamp (optional)


- Lights up when Wireless feature is activated.

#### \*\*Feature code in indoor unit display

- “**ON**” Displays for 3 seconds when Timer on is set or the feature Swing, Turbo or Quiet is turned on.
- “**OF**” Displays for 3 seconds when Timer off is set or the feature Swing, Turbo or Quiet is turned off.
- “**cF**” Displays when anti-cold air feature is turned on.
- “**dF**” Displays when unit is in defrosting.
- “**CL**” Displays when Self Clean feature is turned on (Inverter split type). Displays when unit is in self-cleaning (Fixed-speed type).
- “**FP**” Displays when 8°C heating feature is turned on (some units).

### 4. REMOTE CONTROLLER

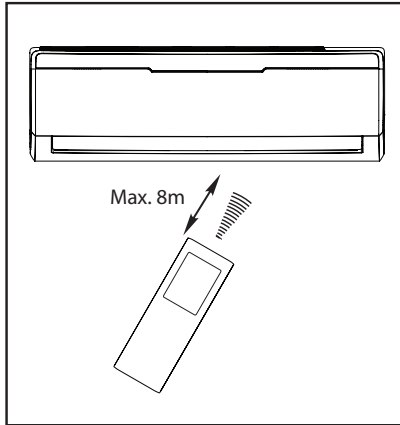
#### 4.1 How to use the Remote controller

1. Keep the remote controller where its signal can reach the receiver of the indoor unit.
2. When operate the air conditioner, make sure the remote controller is pointing to the signal receiver of the indoor unit.
3. When the remote controller sends out a signal, the symbol  will blink in the display of the remote controller.
4. The indoor unit will acknowledge the signal with a beep sound when it receives the signal from the remote controller.
5. Please press the button of the remote controller and resend the signal if you did not hear a beep sound from the indoor unit.



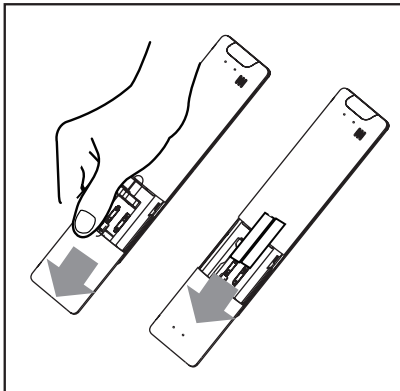
- The air conditioner will not operate if curtains, doors or other materials block the signals from the remote controller to the indoor unit.
- Prevent any liquid from falling into the remote controller. Do not expose the remote controller to direct sunlight or heat.
- If the infrared signal receiver on the indoor unit is exposed to direct sunlight, the air conditioner may not function properly. Use curtains to prevent the receiver being exposed to sunlight.
- If other electrical appliances react to the remote controller, either move these appliances or consult your local dealer.

## 4.2 Location of the Remote Controller



- Keep the remote controller where its signal can reach the receiver of the indoor unit (a maximum distance of 8 m is allowed).
- When the remote controller sends out a signal, the symbol  $\hat{\wedge}$  will blink on the display. The indoor unit will acknowledge the signal with a beep sound when it receives an effective signal.

## 4.3 Battery installation/replacement



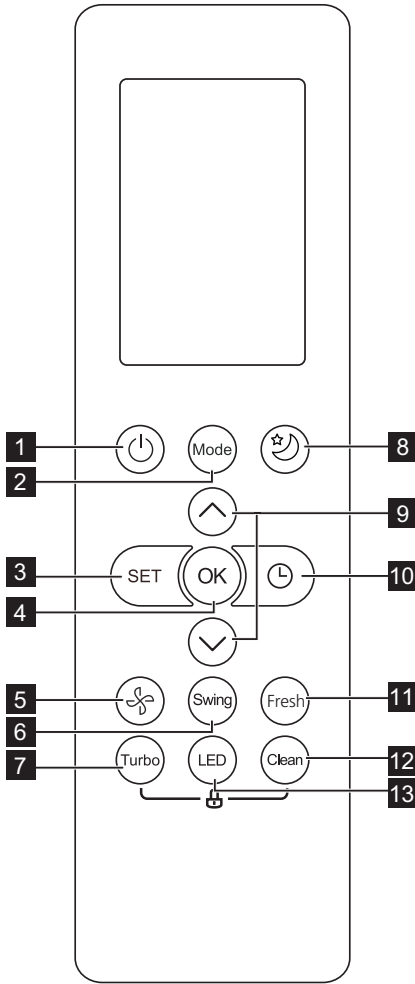
- Remove the back cover from the remote controller, exposing the battery compartment and insert two new alkaline dry batteries (2x AAA 1.5 Volt). Make sure that the polarity of (+) or (-) is installed correctly.
- Slide the battery compartment cover back on.



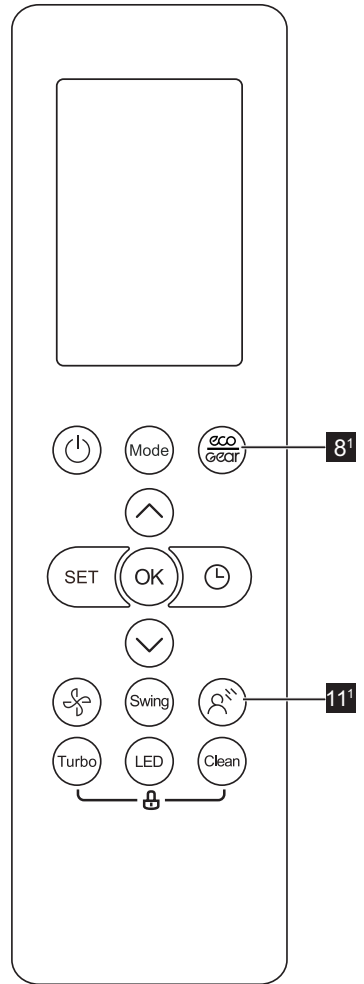
- When changing batteries, do not use old or varied ones, otherwise, it may cause problems with the remote controller.
- If the remote controller is not used for a long time, remove the batteries as old batteries may leak or corrode and damage the remote controller.
- The battery life during normal use is about six months.
- If the remote controller does not operate normally, please remove and refit the batteries. If abnormal operation continues, replace with new batteries.

# 5. REMOTE CONTROLLER DESCRIPTION

---



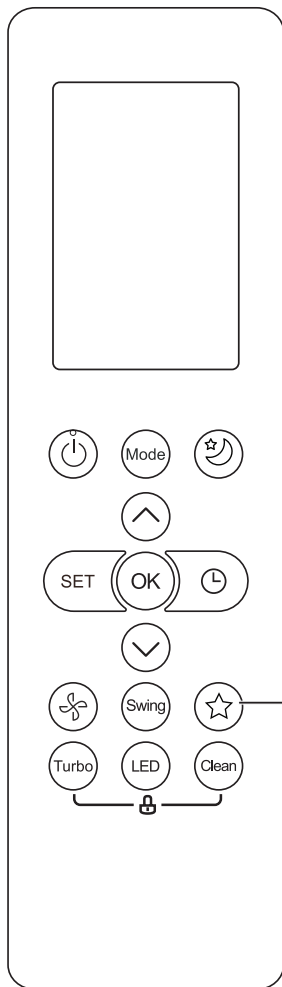
**Type A**



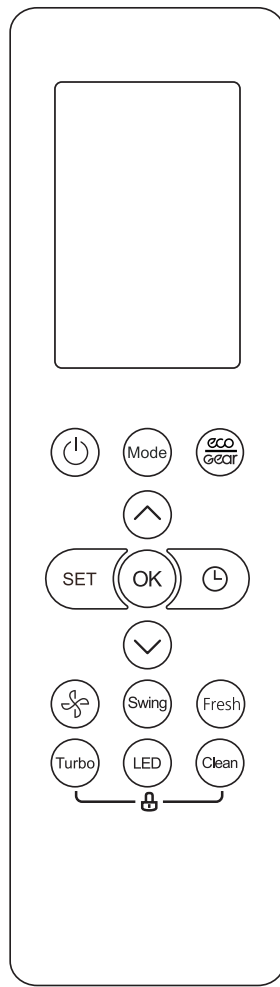
**Type B**

---

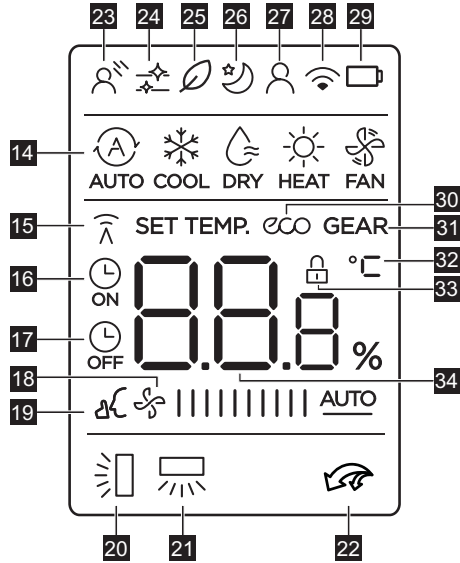




**Type C**



**Type D**



### 1. ON/OFF BUTTON

Press the button to switch on or off the unit

### 2. MODE BUTTON

Press the button to set the operation mode: AUTO, COOL, DRY, HEAT and FAN. Default setting: AUTO.



- i** For Cooling only models, there is no HEAT mode available.
- In AUTO mode, user can still set desired temperature.

### 3. SET BUTTON

Press the button to select some advance functions.

The select function symbol will flash on the display, press OK button to confirm it.

See section "How to use the remote controller" for the SET function description

in details.

### 4. OK BUTTON

press the button to confirm the function you chosed in SET function.

### 5. FAN BUTTON

Press the button to set the fan speed: AUTO, LOW, MEDIUM and HIGH. Default setting: AUTO. In the AUTO and DRY mode, fan speed can not be set.

Silence		1%
		2%-20%
LOW		21%-40%
MED		41%-60%
HIGH		61%-80%
		81%-100%
AUTO	<u>AUTO</u>	



- For some models, there have no fan speed values showed between AU-100%.

## 6. SWING BUTTON

Press the button to stop or start vertical louver movement or set the desired left/right air flow direction.

Press the button more than 2 seconds to stop or start horizontal louver auto swing feature.

Default setting: OFF.

## 7. TURBO BUTTON

In COOL or HEAT mode, press the button to enable or disable the turbo function.

If the turbo function is enabled, the unit will operate at turbo speed to cool or heat rapidly so that the ambient temperature approaches the set temperature as soon as possible.

## 8. SLEEP BUTTON

Press the button to enable or disable Sleep function. If the Sleep function is enabled, the Sleep symbol "☾" will be shown. Default setting: OFF.

## 8<sup>1</sup>. ECO/GEAR BUTTON

Press the button to activate the ECO or GEAR energy efficient mode.

## 9. TEMP BUTTON

Press the button to increase/decrease the temperature. Keep the button pressed for two seconds to accelerate the process.

Temperature range: 16-30°C (60-86°F).

Temperature range (30-36K models): 17-30°C (62-86°F).

Temperature range (JAE models): 20-28°C (68-82°F).

In Timer function, use the button to set the timer adjustment.

## 10. TIMER BUTTON

Press the button to set the timer function for switching on/off the unit.

See section "How to use the remote controller" for the Timer function description in details.

## 11. FRESH BUTTON

Press the button to enable/disable the fresh function. Default setting: OFF.

## 11<sup>1</sup>. BREEZE AWAY BUTTON

Press the button to enable the Breeze Away function. Default setting: OFF.

## 11<sup>2</sup>. SHORT CUT BUTTON

Press the button to enable Short cut function.

## 12. SELF CLEAN BUTTON

Press the button to enable/disable the self clean function. Default setting: OFF.

## 13. LED BUTTON

Press the button to switch the display of the indoor unit on or off. Default setting: ON.

## 14. MODE DISPLAY

Displays the current selected mode. Including AUTO, COOL, DRY, HEAT and FAN.

## 15. TRANSMISSION INDICATOR

Displays when the remote controller transmits signals to the indoor unit.

## 16. TIMER-ON DISPLAY

Displays when the Timer-On function is enabled.

## 17. TIMER-OFF DISPLAY

Displays when the Timer-Off function is enabled.

## 18. FAN SPEED DISPLAY

Displays the selected fan speed: AUTO, LOW, MED and HIGH. When AUTO or DRY Mode is selected, the signal "AUTO" will be displayed.

## 19. QUIET DISPLAY

Displays when Quiet function is activated. The unit will run with the lowest fan speed.

## 20. SWING UP/DOWN DISPLAY (OPTIONAL)

Displays when Swing function is activated, display matched symbol if you select different up/down direction.

### 21. 3D SWING DISPLAY (OPTIONAL)

Displays when 3D Swing function is activated.

### 22. TURBO DISPLAY (OPTIONAL)

Displays when Turbo function is enabled.

### 23. BREEZE AWAY DISPLAY

Displays when Breeze Away function is enabled.

### 24. SELF CLEAN DISPLAY (OPTIONAL)

Displays when Self Clean function is enabled.

### 25. FRESH DISPLAY (OPTIONAL)

Displays when Fresh function is enabled.

### 26. SLEEP DISPLAY

Displays when Sleep function is enabled.

### 27. FOLLOW ME DISPLAY

Displays when Follow Me function is enabled.

### 28. WIRELESS CONTROL DISPLAY

Displays when Wireless Control function is enabled.

### 29. BATTERY DISPLAY

Displays the battery status, remind you to replace the battery.



### 30. ECO DISPLAY

Displays when Eco function is enabled.

### 31. GEAR DISPLAY

Displays when Gear function is enabled.

### 32. °C/°F DISPLAY

°C/°F can be switched by pressing  and  button at the same time for 3 seconds.



- For some models, there have no this function.

### 33. LOCK DISPLAY

Displays when Lock function is enabled.

### 34. TEMPERATURE/TIMER/FAN SPEED DISPLAY

Displays the set temperature by default, or Fan speed or Timer setting when using Timer functions.

Timer setting range: 0-24 hours

Fan speed setting range: AU -100% (some models)

This display is blank when operating in FAN mode.

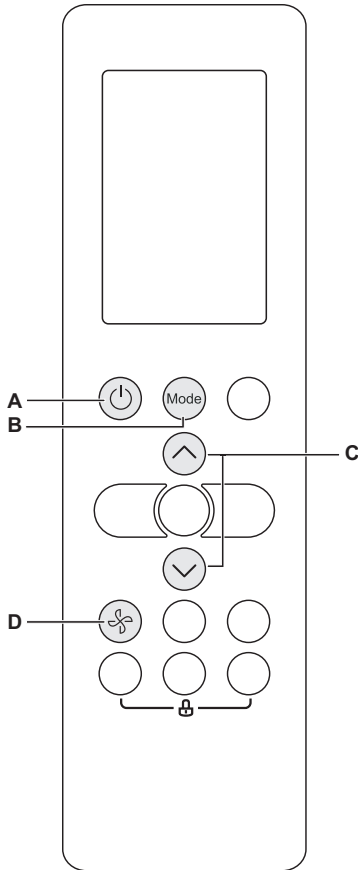


- See section "How to use the remote controller" for the the functions description in details.

## 6. HOW TO USE THE REMOTE CONTROLLER

- i** Ensure the unit is plugged in and power is available. The OPERATION indicator on the display panel of the indoor unit illuminates.

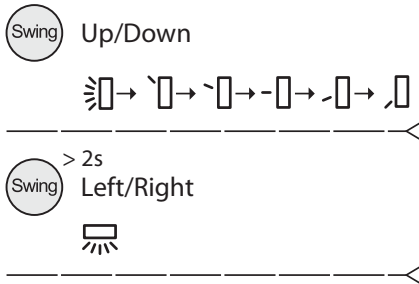
### Basic Operation



1. Press the ON/OFF button (**A**) to start the air conditioner.
2. Press the MODE button (**B**) to select Auto, Cool, Dry, Fan or Heat mode.
3. Press the **+ / -** button (**C**) to set the desired temperature. The temperature can be set in 1°C increments. Keep the button pressed for two seconds to accelerate the process.
4. Press the FAN SPEED button (**D**) to select the fan speed.
5. Press the ON/OFF button (**A**) to turn the air conditioner off.

- i**
- In the Auto mode, the air conditioner can logically choose the mode of Cool, Fan, and Heat by sensing the difference between the actual ambient room temperature and the set temperature on the remote controller.
  - In the Auto and Dry mode, the fan speed can not be switched.
  - In the Fan mode, you can not adjust the setting temperature.

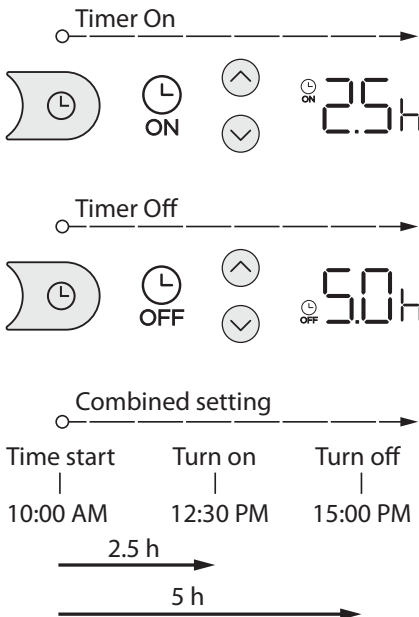
## Swing Operation



Press the Swing button to adjust the desired airflow direction.

1. The horizontal louver will swing up and down automatically when pressing Swing button. Press again to make it stop.
2. Each time when you press the button, the louver moves with an angle. (For some models, there have no this function and the screen will not display the specify angle.)
3. If keep pressing more than 2 seconds, 3D swing function (Optional) is activated, the louver will swing left and right automatically. Keep pressing more than 2 seconds to make it stop.

## Timer Operation



Press the Timer button can set the auto-on time and the auto-off time of the unit.

### Example of Timer on setting

1. Press the Timer button. The Timer on symbol and time will show on the display.
2. Press the  $\wedge$  or  $\vee$  button to set desired Timer on time to turn on the unit after 2.5 hours.
3. Point the remote controller to indoor unit and wait 1 second, then the Timer on function will be activated. The digital display on your remote controller will then return to the temperature display. The Timer on indicator remains on and this function is activated.

### Example of Timer off setting

1. Press the Timer button till the Timer off symbol and time show on the display.
2. Press the  $\wedge$  or  $\vee$  button to set desired Timer off time to turn off the unit after 5 hours.

3. Point the remote controller to indoor unit and wait 1 second, then the Timer off function will be activated. The digital display on your remote controller will then return to the temperature display. The Timer off indicator remains on and this function is activated.



- When setting the Timer on or Timer off functions, up to 10 hours, the time will increase in 30 minute increments with each press. After 10 hours and up to 24, it will increase in 1 hour increments. The timer will revert to zero after 24 hours.
- You can cancel either function by setting its timer to "0.0h".

### Example of Combined Timer setting

It is 10:00 AM and you want to start the air conditioner after 2.5 hours and stop it after 5 hours.

1. Follow the Timer on setting to set the turn on time to 2.5 hours.
  2. Continue press the Timer button to set the turn off time to 5 hours.
  3. Both the Timer on and Timer off indicators display on the remote controller, the combined Timer setting is activated.
  4. Then the unit will turn on at 12:30 PM and turn off at 15:00 PM.
-

## Advanced Functions Operations

Button	Display
1 — Turbo	
2 — Clean	
3 — More than 2 seconds	
4 — 2 times in 1 second	FP
5 — eco gear	ECO GEAR
6 —	
7 — Fresh	
8 —	
9 — Turbo More than 7 seconds	
10 — LED 7 times in 10 seconds	
11 —	
12 — Turbo Clean	
13 — SET OK	

### 1. Turbo function (optional)

Press the Turbo button to enable or disable the turbo function. The Turbo function makes the unit work extra hard to reach your set temperature in the shortest time as soon as possible. When you need fast cool or heat, you can choose this function.

### 2. Self Clean function

Press the Clean button to activate the Self Clean feature, your unit will clean itself automatically. After cleaning, unit will turn off automatically. Airborne bacteria can grow in the moisture that condenses around heat exchanger in the unit. With regular use, most of this moisture is evaporated from the unit. You can use self clean feature as often as you like.

### 3. Quiet function

Press the Fan button for more than 2 seconds to enable or disable the Quiet function. When in Quiet function, the fan will run in slowest speed. This function is aim to give you a comfortable low noise environment.

### 4. 8°C Heating function (optional)

When the air conditioner operates under heat mode with the temperature of minimum setting, press “” button twice in one second will activate 8°C Heating function. The unit will operate at a setting temperature 8°C and the indoor unit display shows “FP”.

### 5. ECO/GEAR function (optional)

In Cool mode, press ECO/GEAR button to enter the energy efficient mode in a sequence as following:



ECO function: Under cooling mode, press the button, the remote controller will adjust the temperature automatically to 24°C/75°F, fan speed of Auto to save energy (only when the set temperature



is less than 24°C/75°F). If the set temperature is above 24°C/75°F, press the button, the fan speed will change to Auto, the set temperature will remain unchanged.

- i** • Pressing the ECO button, or modifying the mode or adjusting the set temperature to less than 24°C/75°F will stop ECO operation.
- Under ECO operation, the set temperature should be 24°C/75°F or above, it may result in insufficient cooling. If you feel uncomfortable, just press the ECO button again to stop it.

**GEAR function:** Press the button to active the GEAR function, 75% means up to 75% electrical energy consumption and 50% means up to 50% electrical energy consumption.

- i** • Under GEAR operation, the display on the remote controller will alternate between electrical energy consumption and set temperature.

## 6. Breeze Away function (optional)

Press the Breeze Away button to active the function. This feature avoids direct air flow blowing on the body and makes you feel indulging in silky coolness.

## 7. Fresh function (optional)

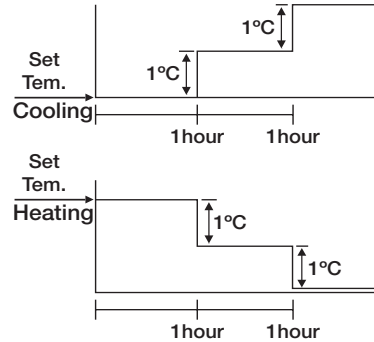
Press the Fresh button to active the Health function. When the function is initiated, the Ionizer/Plasma Dust Collector (depending on models) is energized and will help to clean the air. This function is recommended when the indoor air quality is in bad condition.

## 8. Sleep function

When you press the Sleep button, the economic running function will be activated, the set temperature will increase (cooling) or decrease (heating) by 1°C(2°F) per hour over a 2 hour period. The final

temperature will then be maintained till further changes made by the user.

- i** The SLEEP function is not available in FAN or DRY mode.



## 9. Follow Me function

Keep pressing Turbo button for more than 7 seconds to activate memory feature of Follow Me function. The Follow Me function enables the remote control to measure the temperature at its current location and send this signal to the air conditioner every 3 minutes interval. When using AUTO, COOL or HEAT modes, measuring ambient temperature from the remote controller (instead of from the indoor unit itself) will enable the air conditioner to optimize the temperature around you and ensure maximum comfort.

- i** • If the memory feature is activated, "ON" displays for 3 seconds on the screen.
- Press the Set and OK buttons to inactivate the Follow Me feature, refer to Set function description for the details.
- If the memory feature is inactivated, "OF" displays for 3 seconds on the screen.
- While the memory feature is activated, press the ON/OFF button, shift the mode or power failure will not cancel the Follow me function.

## 10. Wireless function (optional)

Continuous pressing LED button 7 times in 10s, then enter the wireless binding status.



- Please refer to the “Quick Connection Guide” for the Wireless connection details.

## 11. Short Cut function (optional)

Press the Short cut button to enable or disable the Short cut function.

On the first time connecting to the power, if press the Short cut button, the unit will operate on AUTO mode, 26 °C, and fan speed is Auto.

Press this button when remote controller is on, the system will automatically revert back to the previous settings including operating mode, setting temperature, fan speed level and sleep feature (if activated).

If pressing more than 2 seconds, the system will automatically restore the current operation settings including operating mode, setting temperature, fan speed level and sleep feature (if activated).

## 12. Lock function

Press Turbo and Clean buttons at the same time for 5 seconds, you can lock the remote controller, and press Turbo and Clean buttons at the same time for 1 second to unlock it.

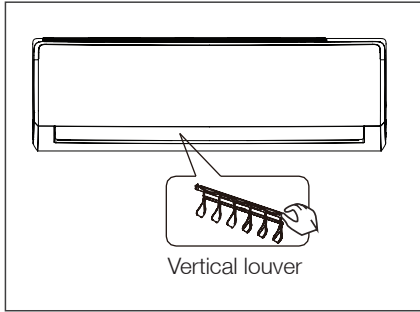
## 13. Set function

Press the Set button to enter the function selection, then press Set button or  $\wedge$  and  $\vee$  button to select the desired function. The matched symbol will flash on the display area, press the OK button to confirm. To cancel the selected function, just perform the same procedures as above.

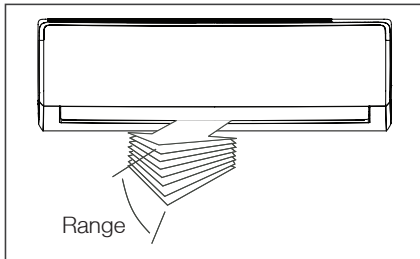


- If your remote controller already has Breeze Away button, Fresh button or Sleep button, you can not use the SET button to select the Breeze Away, Fresh or Sleep feature.

## 7. HOW TO USE THE INDOOR UNIT

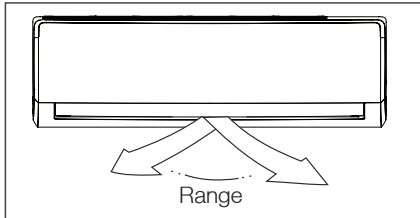


1. Adjust the air flow direction properly otherwise it might cause discomfort or cause uneven room temperatures.
2. Adjust the horizontal louver using the remote controller.
3. Adjust the vertical louver using the remote controller.
4. Adjust the vertical louver manually (For models without 3D Swing function).



### To set the vertical air flow (Up - Down) direction

Perform this function while the unit is in operation. Use the remote controller to adjust the air flow direction. The horizontal louver can swing up and down automatically.



### To set the horizontal air flow direction (Left - Right)

Perform this function while the unit is in operation. Use the remote controller to adjust the air flow direction. The vertical louver can swing left and right automatically.

For models without 3D Swing function, you need to move the vertical louver manually to adjust the air flow in the direction you prefer.



#### **WARNING!**

- Do not operate the air conditioner for long periods with the air flow direction set downward in cool or dry mode. Otherwise, condensation may occur on the surface of the horizontal louver causing moisture to drop on to the floor or on furnishings.
- When the air conditioner is started immediately after it was stopped, the horizontal louver might not move for approximately 10 seconds. Louver in closed position.

#### **IMPORTANT!**

Do not put your fingers into the panel of blower and suction side. The high-speed fan inside may cause danger.

- Open angle of the horizontal louver should not be set too small, as COOLING or HEATING performance may be impaired due to too restricted air flow area.
- Do not move the horizontal louver manually, otherwise the horizontal louver will be out of sync. Please cease operating, unplug power for a few seconds, then restart the air conditioner.
- Do not operate unit with horizontal louver in closed position.

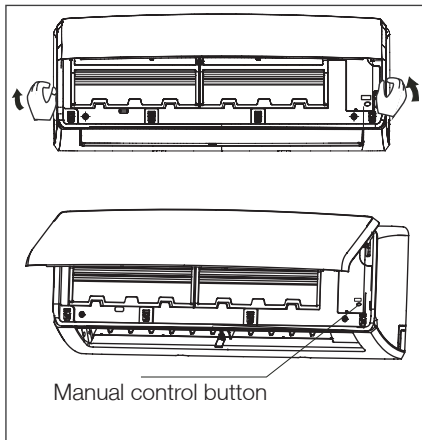
## 8. OPERATING TEMPERATURE

Operating temperature ranges		
Model climate Type	Ambient temperature (Cooling)	Ambient temperature (Heating)
T1	18°C~43°C (Fixed speed)	-7°C~24°C (Fixed speed)
	0°C~50°C (Inverter Type)	-15°C~30°C (Inverter Type)
T3	18°C~52°C (Fixed speed)	-7°C~24°C (Fixed speed)
	0°C~52°C (Inverter Type)	-15°C~30°C (Inverter Type)

### Important!

- Optimum performance will be achieved within these operating temperatures. If air conditioner is used outside of the above conditions, certain safety protection features might come into operation and cause the unit to function abnormally.
- If the air conditioner runs for a long time in cooling mode and the humidity is high, condensed water may drip out of the unit. Please sets the vertical air flow louver to its maximum angle (vertically to the floor), and set HIGH fan mode.

## 9. EMERGENCY OPERATION



Units are equipped with a switch to run emergency operation mode. It can be accessed by opening the front panel. This switch is used for manual operation in case the remote controller fails to work or maintenance necessary.

- Open and lift the front panel up to an angle until it remains fixed with a clicking sound.
- One press of the manual control switch will lead to the forced AUTO operation. If press the switch twice within five seconds, the unit will operate under forced COOL operation.
- Close the panel firmly to its original position.



- The unit must be turned off before operating the manual control button. If the unit is operational, continue pressing the manual control button until the unit is off.
- This switch is used for testing purposes only. You had better not choose it.
- To restore the remote controller operation, use the remote controller directly.

# 10. CLEANING AND MAINTENANCE

## 10.1 Before Maintenance

Turn the system off before cleaning. To clean, wipe with a soft, dry cloth. Do not use bleach or abrasives.



### WARNING!

Power supply must be disconnected before cleaning the indoor unit.



- A cloth dampened with cold water may be used on the indoor unit if it is very dirty. Then wipe it with a dry cloth.
- Do not use a chemically treated cloth or duster to clean the unit.
- Do not use benzene, thinner, polishing powder, or similar solvents for cleaning. These may cause the plastic surface to crack or deform.
- Never use water hotter than 40°C/104°F to clean the front panel, it could cause deformation and discoloration.

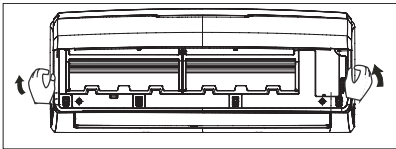
## 10.2 Cleaning the Unit

Wipe the unit with a soft dry cloth only. If the unit is very dirty, wipe it with a cloth soaked in warm water.

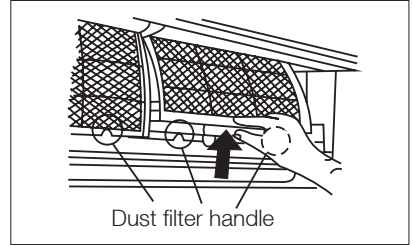
## 10.3 Cleaning the Filters

A clogged air filter reduces the cooling efficiency of this unit. Please clean the filter once every 2 weeks.

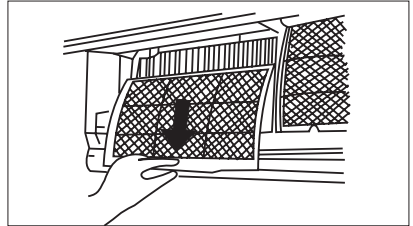
1. Lift the indoor unit front panel up to an angle until it stops with a full support from the bracket.



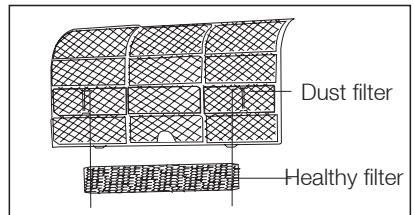
2. Hold the dust filter handle and lift it up slightly to take it out from the filter holder.



3. Then pull the dust filter downwards out of the indoor unit.

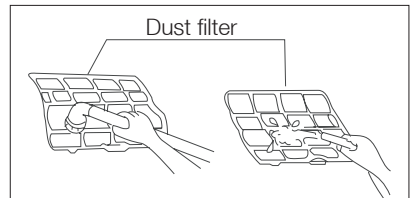


4. The healthy air freshening filter (if applicable) are fixed on the dust filter.
- Remove the healthy filter from the support frame of the dust filter.

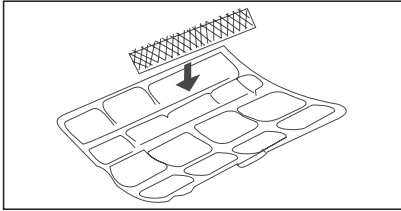


- Clean the healthy filter at least every 3 months and replace every 6 months.
- Clean with vacuum cleaner if possible.

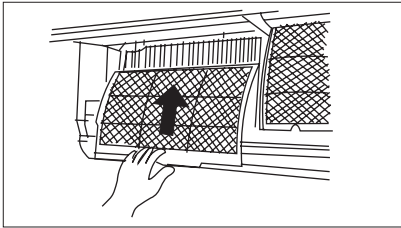
Clean the Dust filter with a vacuum cleaner or water, then dry it up in cool place.



5. Install the air freshening filter back into position.



6. Insert the upper portion of air filter back into the unit, taking care that the left and right edges line up correctly and place filter into position.



### 10.4 Cleaning the air outlet and the panel

1. Use a dry and soft cloth to wipe it.
2. Pure water or mild detergent may be used if it is very dirty.



#### WARNING!

- Do not use benzine, thinner, polishing powder, or similar solvents for cleaning. These may cause the surface to crack or deform.
- To avoid the risk of electrical shock or fire, do not let water fall into the indoor unit.
- Never wipe the air flow louver violently.
- An air conditioner without air filter can not expel the dust out of the room, which would cause malfunctions by accumulation.

### 10.5 Replacement the filters

1. Remove the air filter.
2. Remove the air freshening filter.

3. Install a new air freshening filter.
4. Reinstall the air filter and securely close the front panel.

### 10.6 Preparation for extended non-operation

If you plan to idle the unit for a long time, perform the following:

1. Clean the indoor unit and filters.
2. Operate the fan for about half a day to dry the inside of the unit.
3. Stop the air conditioner and disconnect power.
4. Remove the batteries from the remote controller. The outdoor unit requires periodic maintenance and cleaning. Do not attempt to do this yourself. Contact your dealer or service provider.

### 10.7 Pre-season inspection

1. Check that the wiring is not broken off or disconnected.
2. Clean the indoor unit and filters.
3. Check that the air filter is installed.
4. Check if the air outlet or inlet is blocked after the air conditioner has not been used for a long time.



#### WARNING!

- Do not touch the metal parts of the unit when removing the filter. Injuries can occur when handling sharp metal edges.
- Do not use water to clean inside the air conditioner. Exposure to water can destroy the insulation, leading to possible electric shock.
- When cleaning the unit, first make sure that the power and circuit breaker are turned off.
- Do not wash air filter with hot water at more than 40°C/104°F. Shake off moisture completely and dry it in the shade. Do not expose it directly to the sun, it may shrink.

# 11. OPERATION TIPS

The following events may occur during normal operation.

## 1. Protection of the air conditioner Compressor

- The compressor can't restart for 3-4 minutes after it stops.

## 2. Anti-cold air (Cooling and heating models only)

- The unit is designed not to blow cold air on HEAT mode, when the indoor heat exchanger is in one of the following three situations and the set temperature has not been reached.

- A) When heating has just started.
- B) Defrosting.
- C) Low temperature heating.

- The indoor or outdoor fan stop running when defrosting (Cooling and heating models only).

## 3. Defrosting (Cooling and heating models only)

- Frost may be generated on the outdoor unit during heat cycle when outdoor temperature is low and humidity is high resulting in lower heating efficiency of the air conditioner.
- During this condition air conditioner will stop heating operation and start defrosting automatically.
- The time to defrost may vary from 4 to 10 minutes according to the outdoor temperature and the amount of frost built up on the outdoor unit.

## 4. A white mist coming out from the indoor unit

- A white mist may generate due to a large temperature difference between air inlet and air outlet on COOL mode in an indoor environment that has a high relative humidity.
- A white mist may generate due to moisture generated from defrosting process when the air conditioner restarts in HEAT mode operation after defrosting.

## 5. Abnormal noise of the air conditioner

- You may hear a low hissing sound when the compressor is running or has just stopped running. It is the sound of the refrigerant flowing or coming to a stop.
- You can also hear a low "squeak" sound when the compressor is running or has just stopped running. This is caused by heat expansion and cold contraction of the plastic parts in the unit when the temperature is changing.
- A noise may be heard due to louver restoring to its original position when power is turned on.

## 6. Dust is blown out from the indoor unit

This is a normal condition when the air conditioner has not been used for a long time or during first use of the unit.

## 7. A peculiar smell comes out from the indoor unit

This is caused by the indoor unit giving off smells permeated from building material, from furniture, or smoke.

## 8. The air conditioner turns to FAN only mode from COOL or HEAT (For cooling and heating models only) mode

When indoor temperature reaches the temperature setting on air conditioner, the compressor will stop automatically, and the air conditioner turns to FAN only mode. The compressor will start again when the indoor temperature rises on COOL mode or falls on HEAT mode (For cooling and heating models only).

## 9. Insufficient Heat (For cooling and heating models only)

The air conditioner draws in heat from the outdoor unit and releases it via the indoor unit during heating operation. When the outdoor temperature falls, heat drawn in by the

air conditioner decreases accordingly. At the same time, heat loading of the air conditioner increases due to larger difference between indoor and outdoor temperature. If a comfortable temperature can't be achieved by the air conditioner, we suggest you use a supplementary heating device.

#### **10. Auto-restart function**

- Power failure during operation will stop the unit completely.
- For the unit without Auto-restart feature, when the power restores, the OPERATION indicator on the indoor unit will flash for 1 second. To restart the operation, push the ON/OFF button on the remote controller. For the unit with Auto-restart feature, when the power restores, the unit restarts automatically with all the previous settings preserved by the memory function.



<b>Trouble</b>	OPERATION (RUN) indicator or other indicators continue flashing.	The unit may stop operation or continue to run in a safety condition(depending on models). Waiting for about 10 minutes, the fault may be recovered automatically, if not, disconnect the power and then connect it in again. If the problem still exists, disconnect the power and contact the nearest customer service center.
	If one of the following code appears on the display area: <ul style="list-style-type: none"> <li>• E(x), P(x), F(x)</li> <li>• EH(xx), EL(xx), EC(xx)</li> <li>• PH(xx), PL(xx), PC(xx)</li> </ul>	
	Fuse blows frequently or circuit breaker trips frequently.	Stop the air conditioner immediately, disconnect the power and contact the nearest customer service center.
	Other objects or water fall into the air conditioner.	
	Terrible odors are smelled or abnormal sounds are heard.	

<b>Malfuctions</b>	<b>Cause</b>	<b>What should be done?</b>
<b>Unit does not start</b>	Power cut	Wait for power to be restored.
	Unit may have become Unplugged.	Check that plug is securely in wall receptacle.
	Fuse may have blown.	Replace the fuse.
	Battery in Remote controller may have been exhausted.	Replace the battery.
	The time you have set with timer is incorrect.	Wait or cancel timer setting.
<b>Unit not cooling or heating (Cooling/heating models only) room very well while air flowing out from the air conditioner</b>	Inappropriate temperature setting.	Set temperature correctly. For detailed method please refer to "HOW TO USE THE REMOTE CONTROLLER" section.
	Air filter is blocked.	Clean the air filter.
	Doors or Windows are open.	Close the doors or windows.
	Air inlet or outlet of indoor or outdoor unit has been blocked.	Clear obstructions away first, then restart the unit.
	Compressor 3 minutes protection has been activated.	Wait

If the trouble has not been corrected, please contact a local dealer or the nearest customer service center. Be sure to inform them of the detailed malfunctions and unit model number. Do not attempt to repair the unit yourself. Always consult an authorized service provider.

## 13. CORRECT DISPOSAL OF THIS PRODUCT



This marking indicates that this product should not be disposed with other household wastes throughout the EU. To prevent possible harm to the environment or human health from uncontrolled waste disposal, recycle it responsibly to promote the sustainable reuse of material resources. To return your used device, please use the return and collection systems or contact the retailer where the product was purchased. They can take this product for environmental safe recycling.



3	1. تعليمات السلامة.....
5	2. وصف المنتج.....
6	3. شاشة الوحدة الداخلية.....
6	4. وحدة التحكم عن بعد.....
8	5. وصف وحدة التحكم عن بعد.....
13	6. كيفية استخدام وحدة التحكم عن بعد.....
19	7. كيفية استخدام الوحدة الداخلية.....
20	8. درجة حرارة التشغيل.....
20	9. التشغيل الطارئ.....
21	10. التنظيف والصيانة.....
23	11. نصائح التشغيل.....
25	12. استكشاف الأعطال وإصلاحها.....
26	13. التلخص الصحيح من المنتج.....

## نحن نفكر بك

شكرًا لشراء جهاز إلكترولوكس. لقد اخترت جهازًا تم تصنيعه متضمنًا عقودًا من الخبرة والابتكار الاحترافي. لقد وضعناك في الاعتبار عند تصميمه لذا فهو مصمم ببراعة وأناقة. لذا في أي وقت تستخدمه، يمكنك أن تكون على يقين أنك ستحصل على أفضل النتائج في كل مرة.

مرحبًا بك في إلكترولوكس.

تفضلوا بزيارة موقعنا الإلكتروني من أجل:

الحصول على نصائح الاستخدام، والكتيبات الترويجية، ومستكشف المشكلات ومصلحها، ومعلومات الصيانة:

[www.electrolux.com](http://www.electrolux.com)



تسجيل المنتج للحصول على خدمة أفضل عبر:

[www.electrolux.com/productregistration](http://www.electrolux.com/productregistration)



شراء الملحقات والمواد المستهلكة وقطع الغيار الأصلية للجهاز:

[www.electrolux.com/shop](http://www.electrolux.com/shop)



## خدمة العملاء والصيانة

نوصي باستخدام قطع الغيار الأصلية. عند الاتصال بمركز الصيانة، تأكد من توفير المعلومات التالية لديك. يمكن أن تجد هذه المعلومات على لوحة القياس. الطراز، PNC، الرقم المسلسل

⚠️ تحذير / تنبيه - معلومات السلامة.

📄 معلومات ونصائح عامة


🌱 معلومات بيئية.

عرضة للتغيير دون إشعار.

- إذا تحتم نقل الجهاز إلى مكان آخر أو تحتم التخلص منه، فلا يجوز تنفيذ المهمة إلا بواسطة شخص مؤهل على النحو المطلوب.
- إذا لاحظت موقفاً غريباً، على سبيل المثال اشتمام حريق، فيرجى فصل طاقة مكيف الهواء والاتصال بوكيل خدمة Electrolux. إن استمرت هذه الحالة غير الطبيعية فقد يحدث ضرراً بمكيف الهواء أو حتى التسبب في صدمة كهربائية أو حريق.
- لا تشغل مكيف الهواء وأنت يدك مبتلتان. هذا قد يتسبب في صدمة كهربائية.
- لا تضر سلك الطاقة أو الأسلاك الأخرى ولا تقطعها. عند حدوث ذلك، يُرجى إصلاحه أو استبداله بمعرفة فني معتمد.
- لا توصل مكيف الهواء بلوحة طاقة متعددة المآخذ.
- يُرجى فصل مصدر إمداد الطاقة الموصل به مكيف الهواء إذا كان من المقرر ألا يُستخدم لفترة طويلة. وإلا سينتراك التيار وقد يحدث حريق.
- قبل تنظيف مكيف الهواء، يُرجى فصل إمداد الطاقة لمنع حدوث صدمة كهربائية.
- يجب توصيل مصدر إمداد الطاقة بمكيف الهواء. أجهزة مكيف الهواء المرفق معها سلك إمداد يجب توصيلها مباشرة بمقبس طاقة ذي مفتاح سلامة مناسب. أجهزة مكيف الهواء الموصلة بالأسلاك يجب توصيلها بقاطع دائرة مناسب للسلامة.
- يُرجى التأكد من أن مصدر إمداد الطاقة الموصل بمكيف الهواء ثابت ويستوفي المتطلبات الواردة في دليل التركيب.
- تأكد دوماً من أن المنتج مركب مع تاربيض مناسب.
- لتحقيق السلامة، تأكد من إيقاف قاطع الدائرة قبل تنفيذ أي عمليات صيانة أو تنظيف أو إذا كان من المقرر عدم استخدام المنتج لفترة طويلة. الغيار المتراكم قد يتسبب في حريق أو صدمة كهربائية.


قبل تركيب الجهاز واستخدامه، يُرجى قراءة التعليمات الواردة بعناية. الشركة المصنعة غير مسؤولة في حالة تركيب الجهاز واستخدامه بطريقة غير صحيحة، مما قد يؤدي إلى وقوع إصابات أو أضرار. احتفظ دائماً بالتعليمات الواردة مع الجهاز للرجوع إليها مستقبلاً.

## 1.1 سلامة الأطفال والأشخاص الضعفاء

**تحذير!**  خطر الاختناق أو الإصابة أو الإعاقة الدائمة.

- هذا الجهاز غير معد للاستخدام من قِبل الأشخاص (بما في ذلك الأطفال) ذوي القدرات البدنية أو الحسية أو العقلية المحدودة، أو المفقطين إلى الخبرة والمعرفة، ما لم يكن ذلك تحت إشراف أو توجيه خاص باستخدام الجهاز على يد شخص يكون مسؤولاً عن سلامتهم.
- ينبغي الإشراف على الأطفال لضمان عدم عبثهم بالجهاز.

## 1.2 التركيب والاستخدام

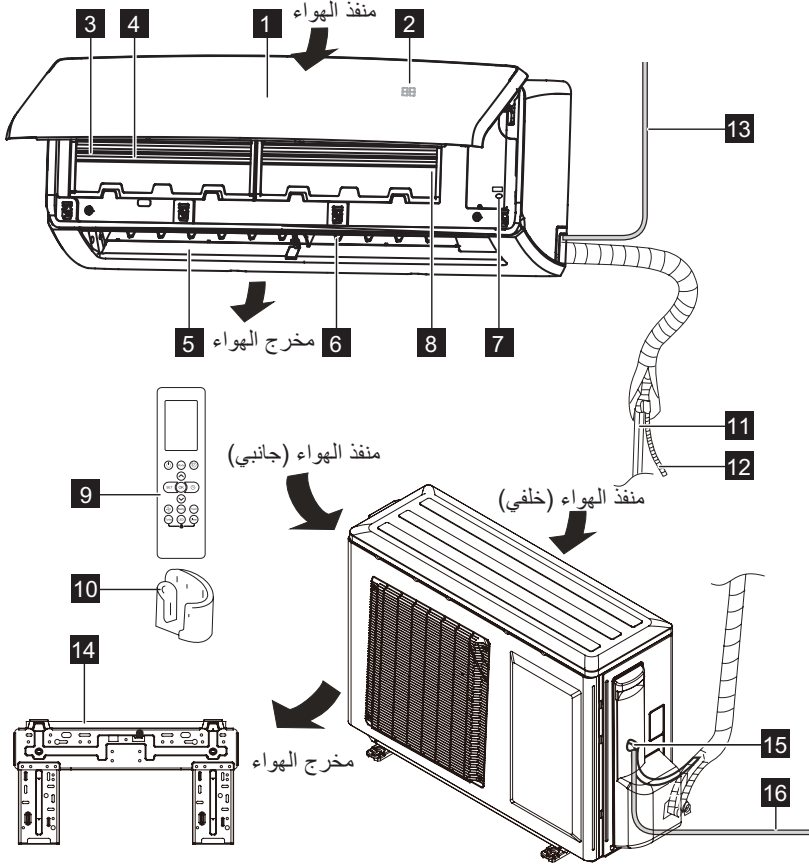
**تحذير!**  خطر الاختناق أو الإصابة أو الإعاقة الدائمة.

- اتصل بالقيام بالتهيئة المصرح له للمساعدة في تركيب هذا الجهاز.
- اتصل بفني خدمة معتمد للمساعدة في إصلاح هذا الجهاز أو صيانتها.
- مأخذ التيار اللازم لإمداد الطاقة يجب توصيله وتشغيله بواسطة متعاقد مرخص له.
- في حالة تلف كبل الإمداد الكهربائي، يجب استبداله من قِبل المصنِّع أو وكيل الخدمة الخاص بها أو غيره من الأشخاص المؤهلين لتفادي التعرض للخطر.
- وفقاً للمعايير الوطنية للأسلاك وقواعد صيانة أجهزة إمداد الطاقة الكهربائية، يجب تنفيذ أعمال التركيب بواسطة عاملين معتمدين.

- حدد درجة الحرارة الأنسب. فهذا يوفر الكهرباء.
- لا تترك النوافذ والأبواب مفتوحة مدةً طويلةً اثناء التشغيل. فهذا يؤثر على كفاءة الأداء.
- لا تسد منفذ الهواء ولا مخرج الهواء. فهذا يؤثر على كفاءة الأداء ويتسبب في الأعطال.
- أبعد المواد القابلة للاحتراق بعيدًا عن الأجهزة بمسافة متر واحد على الأقل. فهذا قد يتسبب في حريق.
- لا تخطو على الجزء العلوي من الوحدة الخارجية ولا تضع أشياء ثقيلة عليها. فهذا قد يتسبب في التلف أو الإصابة.
- لا تحاول إصلاح مكيف الهواء بنفسك. عمليات الإصلاح غير السليمة قد تتسبب في صدمة كهربائية أو حريق. يُرجى الاتصال بمركز الخدمة المعتمد.
- لا تدخل يديك أو أشياء في المنفذ أو المخرج. فهذا قد يتسبب في إصابة.
- لا تعرض الحيوانات أو النباتات إلى تدفق الهواء المباشر.
- لا تستخدم الجهاز في أي غرض آخر، مثل حفظ الأطعمة أو الملابس الجافة.
- لا تنضح الماء على مكيف الهواء. فهذا قد يتسبب في صدمة كهربائية أو عطل.

## 2. وصف المنتج

جميع الصور في هذا الدليل لأغراض توضيحية فقط. الشكل الفعلي للوحدة الداخلة التي تشتريها قد يختلف قليلاً في اللوحة الأمامية ونافاذة العرض. الشعل الفعلي بسود.



- وحدة التحكم عن بعد 9  
حامل وحدة التحكم عن بعد (بعض الأجهزة) 10  
أنبوب التبريد 11  
خرطوم التصريف 12  
كابل الطاقة (بعض الأجهزة) 13  
لوحة التركيب 14  
كابل التوصيل 15  
كابل الطاقة (بعض الأجهزة) 16

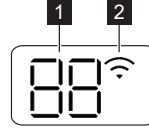
- اللوحة الأمامية 1  
شاشة رقمية 2  
فلتر الهواء 3  
فلتر الغبار المسبق 4  
فتحة تدفق الهواء الأفقية 5  
فتحة تدفق الهواء الرأسية (داخلية) 6  
زر التحكم اليدوي 7  
مولد أيونات (إن وجد) 8

## 3. شاشة الوحدة الداخلية

## 1 مصباح مؤشر الحرارة

- يعرض الإعداد أو درجة حرارة الغرفة عندما يكون الجهاز قيد التشغيل.
- يعرض كود العطل عند حدوث العطل.
- يعرض كود الميزة عند تنشيط الميزة.

## 2 مصباح مؤشر اللاسلكي Wireless (اختياري)



- يضيء عندما تكون ميزة اللاسلكي Wireless منشطة.
- \*\*كود الميزة في شاشة الوحدة الداخلية

"01" يظهر لمدة 3 ثوانٍ عندما يكون المؤقت قيد التشغيل أو عندما تكون الميزة تأرجح أو تريبو أو هادئ قيد التشغيل.

"0F" يظهر لمدة 3 ثوانٍ عندما يكون المؤقت قيد إيقاف التشغيل أو عندما تكون الميزة تأرجح أو تريبو أو هادئ قيد إيقاف التشغيل.

"eF" يظهر عندما تكون ميزة الهواء البارد المضاد قيد التشغيل.

"dF" يظهر عندما يكون الجهاز قيد فك تجمد الطعام.

"tL" يعرض عندما تكون ميزة التنظيف الذاتي قيد التشغيل (نوع تقسيم العاكس).

يعرض عندما يكون الجهاز قيد التنظيف الذاتي (نوع السرعة الثابتة).


"FF" عندما تكون درجة حرارة التسخين 80°C قيد التشغيل (بعض الأجهزة).

## 4. وحدة التحكم عن بعد

## 4.1 كيفية استخدام وحدة التحكم عن بعد

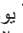
- مكيف الهواء لن يعمل إذا كانت الستائر أو الأبواب أو الأشياء الأخرى تحجب الإشارات الصادرة من وحدة التحكم عن بعد إلى الوحدة الداخلية.
- امنع أي سائل من السقوط في وحدة التحكم عن بعد. لا تعرض وحدة التحكم عن بعد إلى ضوء الشمس المباشر أو إلى الحرارة.
- إذا كان جهاز استقبال الإشارة تحت الحمراء الموجود بالوحدة الداخلية يتعرض إلى ضوء المباشر، فإن مكيف الهواء قد لا يعمل بطريقة صحيحة. استخدم الستائر لمنع جهاز الاستقبال من التعرض إلى ضوء الشمس المباشر.
- إذا كانت الأجهزة الكهربائية الأخرى تتفاعل مع وحدة التحكم عن بعد، فإما تنقل هذه الأجهزة أو تستشر وكيلك المحلي.

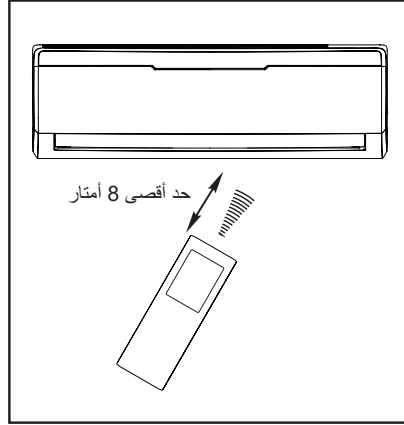


1. ضع وحدة التحكم عن بعد في مكان يمكن منه وصول إشارتها إلى جهاز الاستقبال الموجود بالوحدة الداخلية.
2. عند تشغيل مكيف الهواء، احرص على أن تكون وحدة التحكم عن بعد موجهة نحو جهاز استقبال الإشارة الموجود بالوحدة الداخلية.
3. عندما ترسل وحدة التحكم عن بعد إشارة، فإن الرمز  يومض في شاشة وحدة التحكم عن بعد.
4. الوحدة الداخلية تتعرف على الإشارة من خلال إصدار صوت صفير عندما تستقبل الإشارة من وحدة التحكم عن بعد.
5. يُرجى الضغط على زر وحدة التحكم عن بعد وإعادة إرسال الإشارة إذا لم تسمع صوت صفير من الوحدة الداخلية.



## 4.2 مكان وحدة التحكم عن بعد

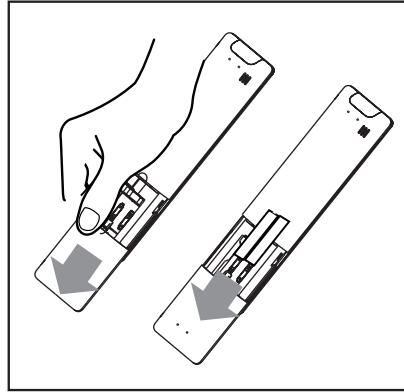
- ضع وحدة التحكم عن بعد في مكان يمكن منه وصول إشارتها إلى جهاز الاستقبال الموجود بالوحدة الداخلية (مسموح بمسافة لا تزيد عن 8 أمتار).
- عندما ترسل وحدة التحكم عن بعد إشارة، فإن الرمز  يومض على الشاشة. الوحدة الداخلية تتعرف على الإشارة من خلال إصدار صوت صغير عندما تستقبل إشارة فعالة.



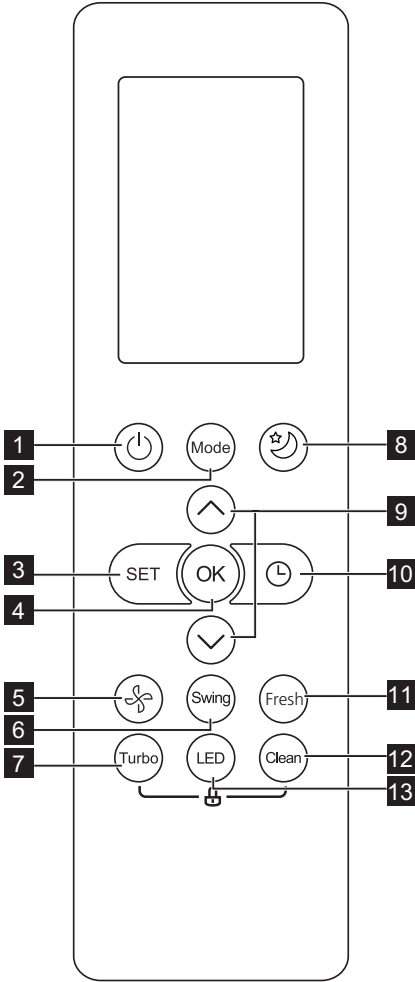
## 4.3 تركيب/استبدال البطارية

- قم بإزالة الغطاء الخلفي من وحدة التحكم عن بعد، وبالتالي تتكشف حجيرة البطارية وأدخل بطاريتين قلويتين جادتين (2 AAA × 1.5 فولت). تأكد من تركيب القطبية (+) أو (-) بشكل صحيح. ركب غطاء حجيرة البطارية مرة أخرى.

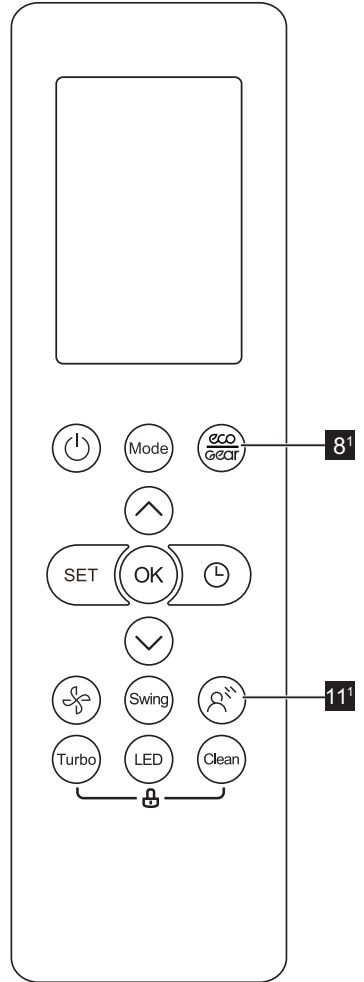
- عند تغيير البطاريات، لا تستخدم البطاريات القديمة أو المختلفة، وإلا فقد يتسبب ذلك في حدوث مشكلات بوحدة التحكم عن بعد.
- إذا كان من المقرر ألا تُستخدم وحدة التحكم عن بعد لفترة طويلة، فقم بإزالة البطاريات حيث إن البطاريات القديمة قد يحدث بها تسريب أو قد تتآكل وبالتالي تضر بوحدة التحكم عن بعد.
- عمر البطارية أثناء الاستخدام العادي يبلغ حوالي ستة أشهر.
- إذا لم تعمل وحدة التحكم عن بعد بشكل طبيعي، فُرجى فك البطاريات وإعادة تركيبها. إذا استمر التشغيل بصورة غير طبيعية، فاستبدلها ببطاريات جديدة.



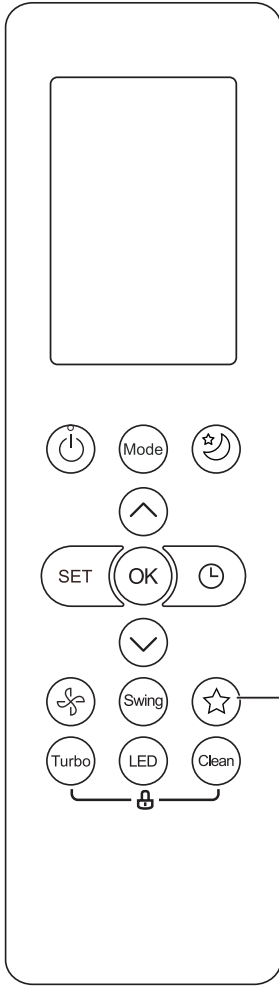
5. وصف وحدة التحكم عن بعد



Type A

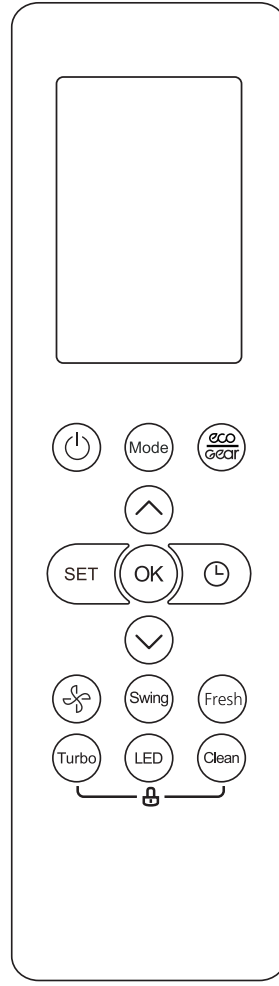


Type B

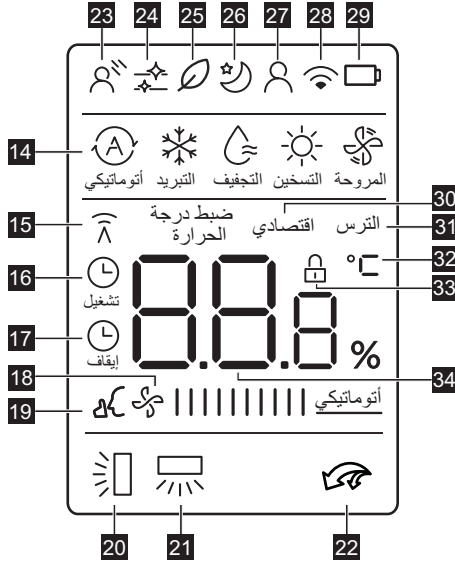


11<sup>2</sup>

**Type C**

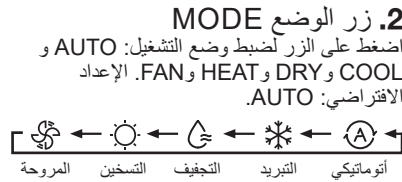


**Type D**



**1. زر التشغيل/إيقاف التشغيل**  
اضغط على الزر لتشغيل الجهاز أو إيقاف تشغيله

**2. زر الوضع MODE**  
اضغط على الزر لضبط وضع التشغيل: AUTO و COOL و DRY و HEAT و FAN. الإعداد الافتراضي: AUTO.



**3. زر الضبط SET**  
اضغط على الزر لتحديد بعض الوظائف المتقدمة.

رمز تحديد الوظيفة يومض على الشاشة، اضغط على الزر OK (موافق) لتأكيدهما.

راجع القسم "كيفية استخدام وحدة التحكم عن بعد" لمعرفة وصف الوظيفة SET في التفاصيل.

**4. الزر OK (موافق)**  
اضغط على الزر لتأكيد الوظيفة التي اخترتها في الوظيفة SET.

1%		الصمت
2%-20%		مخفضة
21%-40%		متوسط
41%-60%		مرحلة مرتفعة
61%-80%		أوماتيكي
81%-100%		أوماتيكي

**111. زر طرد الرماد BREEZE AWAY**  
اضغط على الزر لتمكين وظيفة طرد الرماد. الإعداد الافتراضي: OFF.

**112. زر SHORT CUT**  
اضغط على الزر لتمكين وظيفة الاختصار Short cut.

**12. زر SELF CLEAN**  
اضغط على الزر لتمكين أو تعطيل وظيفة التنظيف الذاتي. الإعداد الافتراضي: OFF.

**13. زر LED**  
اضغط على الزر لتشغيل شاشة الوحدة الداخلية أو إيقاف تشغيلها. الإعداد الافتراضي: ON.

**14. شاشة الوضع**  
يعرض الوضع الحالي المحدد. بما في ذلك AUTO و COOL و DRY و HEAT و FAN.

**15. مؤشر نقل الحركة**  
يظهر عندما ترسل وحدة التحكم عن بعد إشارات إلى الوحدة الداخلية.

**16. عرض TIMER-ON**  
يظهر عندما تكون الوظيفة Timer-On ممكنة.

**17. عرض TIMER-OFF**  
يظهر عندما تكون الوظيفة TIMER-off ممكنة.

**18. عرض سرعة المروحة**  
تظهر سرعة المروحة المحددة: AUTO و LOW و HIGH و MED. عند تحديد الوضع AUTO أو الوضع DRY، يتم عرض الإشارة "AUTO".

**19. عرض QUIET**  
تظهر عند تنشيط الوظيفة Quiet. الوحدة تعمل والمروحة بأقل سرعة.

**20. عرض SWING UP/DOWN**  
(اختياري)

عند تنشيط وظيفة التارجج Swing، يظهر الرمز المطابق على الشاشة إذا حددت اتجاه لأعلى/أسفل مختلفاً.

**21. عرض 3D SWING**  
تظهر عند تنشيط الوظيفة 3D Swing.

• في بعض الموديلات، لا توجد قيم سرعة للمروحة معروضة بين 100%-AU.



**6. زر التارجج SWING**  
اضغط على الزر لإيقاف أو بدء حركة الفتحة الرأسية أو ضبط اتجاه تدفق الهواء للأيسر/اليمين المطلوب. اضغط على الزر أكثر من ثابنتين لإيقاف أو بدء ميزة التارجج التلقائي للفتحة الأفقية. الإعداد الافتراضي: OFF.

**7. الزر تربو TURBO**  
في الوضع COOL أو الوضع HEAT، اضغط على الزر لتمكين أو تعطيل وظيفة التربو.

إذا تم تمكين وظيفة التربو، فسوف تعمل الوحدة بسرعة التربو لتبرد أو تسخن بسرعة بحيث تقترب درجة الحرارة المحيطة من درجة الحرارة المضبوطة في أسرع وقت ممكن.

**8. زر النوم SLEEP**  
اضغط على الزر لتمكين أو تعطيل وظيفة النوم. عند تمكين وظيفة النوم، سيظهر الرمز "S". الإعداد الافتراضي: OFF.

**8'. الزر ترس اقتصادي ECO/GEAR**  
اضغط على الزر لتنشيط وضع كفاءة الطاقة ECO أو GEAR.

**9. زر درجة الحرارة TEMP**  
اضغط على الزر لزيادة/خفض درجة الحرارة. استمر في الضغط على الزر لمدة ثابنتين لتسريع العملية. نطاق درجة الحرارة: 16-30° م (86°-60° ف). نطاق درجة الحرارة (36-30 ألف طراز): 17-30° م (86°-62° ف).

نطاق درجة الحرارة (طرازات الإمارات العربية المتحدة): 20-28° م (82°-68° ف).

في وظيفة المؤقت، استخدم الرز لضبط المؤقت.

**10. زر المؤقت TIMER**  
اضغط على الزر لضبط وظيفة المؤقت لتشغيل/إيقاف تشغيل الوحدة.

راجع القسم "كيفية استخدام وحدة التحكم عن بعد" لمعرفة وصف وظيفة المؤقت في التفاصيل.

**11. زر الطازج FRESH**  
اضغط على الزر لتمكين أو تعطيل وظيفة الطازج. الإعداد الافتراضي: OFF.

**30. عرض ECO**

يظهر عندما تكون وظيفة Eco ممكنة.

**31. عرض GEAR**

يظهر عندما تكون وظيفة Gear ممكنة.

**32. عرض C/°F**

يمكن تبديل C/°F بالضغط على الزر  $\wedge$  وعلى الزر  $\vee$  في وقت واحد لمدة 3 ثوانٍ.

• في بعض الطرازات، لا توجد هذه الوظيفة.

**33. عرض LOCK**

يظهر عندما تكون وظيفة القفل Lock ممكنة.

**34. عرض TEMPERATURE/ TIMER/FAN SPEED**

يعرض وفقًا للإعدادات الافتراضية درجة الحرارة أو سرعة المروحة أو إعداد المؤقت عند استخدام وظائف المؤقت.

نطاق إعداد المؤقت: 0-24 ساعة

نطاق إعداد سرعة المروحة: 100%-AU

(بعض الموديلات)

هذه الشاشة فارغة عند التشغيل في وضع المروحة.

**22. عرض TURBO (اختياري)**

يظهر عندما تكون الوظيفة ترمو ممكنة.

**23. عرض BREEZE AWAY**

يظهر عندما تكون وظيفة طرد الرماد ممكنة.

**24. عرض SELF CLEAN (اختياري)**

يظهر عندما تكون وظيفة التنظيف الذاتي ممكنة.

**25. عرض FRESH DISPLAY (اختياري)**

يظهر عندما تكون وظيفة الطازج Fresh ممكنة.

**26. عرض SLEEP**

يظهر عندما تكون وظيفة النوم ممكنة.

**27. عرض FOLLOW ME**

يظهر عندما تكون وظيفة اتبعني Follow Me ممكنة.

**28. عرض WIRELESS CONTROL**

تظهر عندما تكون وظيفة التحكم اللاسلكي ممكنة.

**29. عرض BATTERY**

يعرض حالة البطارية، ويذكرك باستبدال البطارية.

• راجع القسم "كيفية استخدام وحدة التحكم عن بعد" لمعرفة وصف الوظائف في التفاصيل.



## 6. كيفية استخدام وحدة التحكم عن بعد

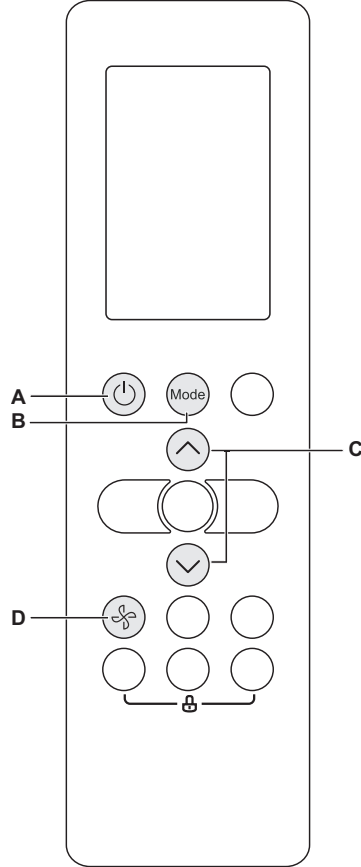
تأكد من توصيل الوحدة ومن توفر الطاقة. يضيء مؤشر التشغيل على شاشة الوحدة الداخلية.



## التشغيل الأساسي

1. اضغط على الزر تشغيل/إيقاف التشغيل
- (A) ON/OFF لبدء تشغيل مكيف الهواء.
2. اضغط على زر الوضع (B) MODE لتحديد الوضع .Auto أو Cool أو Dry أو Fan أو Heat.
3. اضغط على الزر **+** / **-** (C) لضبط درجة الحرارة المطلوبة. يمكن ضبط درجة الحرارة بزيادات قدرها 1 °م. استمر في الضغط على الزر لمدة ثانيتين لتسريع العملية.
4. اضغط على زر سرعة المروحة FAN SPEED (D) لتحديد سرعة المروحة.
5. اضغط على الزر تشغيل/إيقاف التشغيل (A) ON/OFF لإيقاف تشغيل مكيف الهواء.

- في الوضع Auto، يمكن لمكيف الهواء أن يختار منطقيًا وضع التبريد والمروحة والتسخين من خلال استشعار الفرق بين درجة حرارة الغرفة المحيطة الفعلية ودرجة الحرارة المضبوطة بجهاز التحكم عن بُعد.
- في الوضع Auto والوضع Dry، لا يمكن تبديل سرعة المروحة.
- في الوضع Fan، لا يمكنك تعديل درجة حرارة الإعداد.



## تشغيل التآرجج Swing

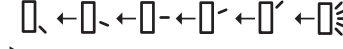
اضغط على الزر Swing لضبط اتجاه تدفق الهواء المطلوب.

تآرجج لأعلى/لأسفل

1. الفتحة الأفقية تتآرجج تلقائياً لأعلى ولأسفل عند الضغط على الزر Swing. اضغط مرة أخرى لإيقافها.

2. في كل مرة تضغط فيها على الزر، تتحرك الفتحة بمقدار زاوية. (في بعض الموديلات، لا توجد هذه الوظيفة ولن تقوم الشاشة بعرض الزاوية المحددة).

3. عند استمرار الضغط لأكثر من ثانيتين، يتم تنشيط الوظيفة 3D swing (اختيارية) وتتآرجج الفتحة تلقائياً يساراً ويميناً. استمر في الضغط لمدة أكثر من ثانيتين لإيقافها.



أكبر من ثانيتين  
أيسر/أيمن



## تشغيل المؤقت

الضغط على زر المؤقت يضبط وقت التشغيل التلقائي ووقت الإيقاف التلقائي للوحدة.

مثال على تشغيل المؤقت

1. اضغط على زر المؤقت. سيظهر على الشاشة رمز تشغيل المؤقت والمدة.

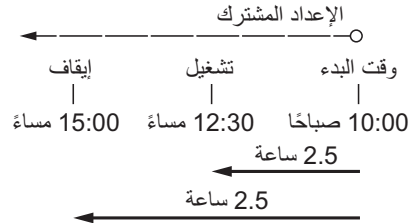
2. اضغط على الزر  $\wedge$  أو الزر  $\vee$  لضبط مدة تشغيل المؤقت المطلوبة وذلك لتشغيل الوحدة بعد 2.5 ساعة.

3. قم بتوجيه وحدة التحكم عن بعد إلى الوحدة الداخلية وانتظر ثانية واحدة، وسيتم تنشيط وظيفة تشغيل المؤقت. الشاشة الرقمية بوحدة التحكم عن بعد ستعود بعد ذلك إلى عرض درجة الحرارة. مؤشر تشغيل المؤقت يبقى مضيئاً ويتم تنشيط هذه الوظيفة.

مثال على إيقاف المؤقت

1. اضغط على زر المؤقت حتى يظهر رمز إيقاف المؤقت والمدة على الشاشة.

2. اضغط على الزر  $\wedge$  أو الزر  $\vee$  لضبط مدة إيقاف المؤقت المطلوبة لإيقاف تشغيل الوحدة بعد 5 ساعات.





- أمتلئة على إعداد المؤقت المشترك الساعة 10:00 صباحًا وأنت تريد تشغيل مكيف الهواء بعد 2.5 ساعة وأن يتوقف بعد 5 ساعات.
1. تابع إعداد تشغيل المؤقت لضبط مدة التشغيل على 2.5 ساعة.
  2. استمر في الضغط على زر المؤقت لضبط وقت إيقاف التشغيل على 5 ساعات.
  3. يظهر كلا المؤشرين، مؤشر تشغيل المؤقت ومؤشر إيقاف التشغيل على شاشة وحدة التحكم عن بعد، ويتم تنشيط إعداد المؤقت.
  4. بعد ذلك يتم تشغيل الوحدة عند الساعة 12:30 مساءً ويتم إيقاف تشغيلها عند الساعة 15:00 مساءً.

3. قم بتوجيه وحدة التحكم عن بعد إلى الوحدة الداخلية وانتظر ثانية واحدة، وسيتم تنشيط وظيفة إيقاف المؤقت. الشاشة الرقمية بوحدة التحكم عن بعد ستعود بعد ذلك إلى عرض درجة الحرارة. مؤشر إيقاف المؤقت يبقى مضيئًا ويتم تنشيط هذه الوظيفة.
- عند ضبط وظيفة تشغيل المؤقت ووظيفة إيقاف المؤقت، بمدة تصل إلى 10 ساعات، يزداد الوقت بمعدل 30 كل دقيقة كل ضغط. بعد 10 ساعات وحتى 24 ساعة، فسيزداد بمعدل ساعة واحدة. يعود المؤقت إلى الصفر بعد 24 ساعة.
  - يمكنك إلغاء كلتا الوظيفتين بضبط المؤقت على "0.0h".



## عمليات تشغيل الوظائف المتقدمة

## 1. الوظيفة Turbo (اختيارية)

اضغط على الزر Turbo لتمكين أو تعطيل الوظيفة Turbo. الوظيفة Turbo تجعل الوحدة تعمل بجهد إضافي للوصول إلى درجة الحرارة المضبوطة في أقصر وقت ممكن. عندما تحتاج إلى تبريد سريع أو تسخين سريع، يمكنك اختيار هذه الوظيفة.

## 2. وظيفة التنظيف الذاتي

اضغط على الزر Clean لتنشيط ميزة التنظيف الذاتي، وستقوم الوحدة تلقائيًا بتنظيف نفسها. بعد التنظيف، تتوقف الوظيفة تلقائيًا. البكتيريا المحمولة في الهواء يمكن أن تنمو في الرطوبة التي تتكثف حول مبدل الحرارة الموجود بالوحدة. مع الاستخدام المنتظم، تتبخر معظم هذه الرطوبة من الوحدة. يمكنك استخدام ميزة التنظيف الذاتي بقدر ما تريد.

## 3. الوظيفة الهادئة

اضغط على زر المروحة لأكثر من ثانييتين لتمكين أو تعطيل الوظيفة الهادئة. عند تشغيل الوظيفة الهادئة، ستعمل المروحة بأبطأ سرعة. هذه الوظيفة تهدف إلى توفير بيئة مريحة منخفضة الضوضاء.

4. 8<sup>0</sup>م وظيفة التسخين (اختياري)

عندما يعمل مكيف الهواء في ظل وضع التسخين المضبوط على الحد الأدنى لدرجة الحرارة، فإن الضغط على الزر "V" مرتين في ثانية واحدة سيقيم بتنشيط وظيفة التسخين عند درجة حرارة 8 م. تعمل الوحدة عند درجة حرارة إعداد 8<sup>0</sup>م وستعرض شاشة الوحدة الداخلية "FP".

## 5. الوظيفة ECO/GEAR (اختياري)

في وضع التبريد، اضغط على الزر ECO/GEAR للدخول في وضع كفاءة الطاقة في تسلسل كما يلي:

اقتصادي ← الترس 75% ← الترس 50% ← الإعداد السابق

الوظيفة ECO: في وضع التبريد، اضغط على الزر وستقوم وحدة التحكم عن بعد بضبط درجة الحرارة تلقائيًا على 24<sup>0</sup>م/75%ف، سرعة المروحة للوضع Auto لحفظ الطاقة (فقط عندما تكون درجة الحرارة المضبوطة أقل من 24<sup>0</sup>م/75%ف). عندما تكون درجة الحرارة المضبوطة أعلى من 24<sup>0</sup>م/75%ف، اضغط على الزر وستتغير سرعة المروحة إلى Auto وستبقى درجة الحرارة المضبوطة بلا تغيير.

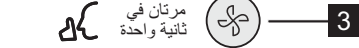
## زر شاشة العرض



1



2



3



4



5



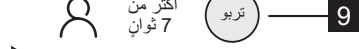
6



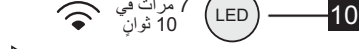
7



8



9



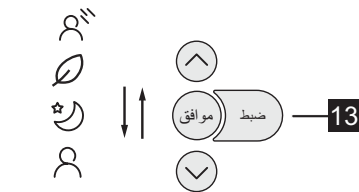
10



11

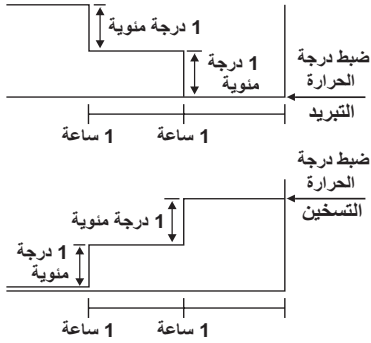


12



13

وظيفة النوم غير متاحة في الوضع FAN ولا في الوضع DRY. **i**



## 9. الوظيفة اتبعني

استمر في الضغط على الزر Turbo لمدة أكثر من 7 ثوانٍ لتنشيط ميزة الذاكرة للوظيفة اتبعني. الوظيفة اتبعني تمكن وحدة التحكم عن بعد من قياس درجة الحرارة في مكانها الحالي وإرسال هذه الإشارة إلى مكيف الهواء كل فاصل زمني قدره 3 دقائق. عند استخدام الوضع AUTO أو الوضع COOL أو الوضع HEAT، فإن قياس درجة الحرارة المحيطة من وحدة التحكم عن بعد (بدلاً من الوحدة الداخلية نفسها) يمكن مكيف الهواء من تحسين درجة الحرارة حولك ويضمن لك أقصى قدر من الراحة.

• يتم تنشيط ميزة الذاكرة وسيظهر "ON" على الشاشة لمدة 3 ثوانٍ. **i**

• اضغط على الزر Set والزر OK لإلغاء تنشيط الميزة اتبعني، راجع وصف القسم Set لمعرفة التفاصيل.

• يتم إلغاء تنشيط ميزة الذاكرة وسيظهر "OF" على الشاشة لمدة 3 ثوانٍ.

• عند تنشيط ميزة الذاكرة، اضغط على الزر ON/OFF أو غير الوضع والإلا حالة انقطاع التيار الكهربائي لن تلغي الوظيفة اتبعني.

• الضغط على الزر ECO أو تعديل الوضع أو تعديل درجة الحرارة المضبوطة إلى أقل من 24°م/75°ف يؤدي إلى إيقاف تشغيل ECO. **i**

• في ظل تشغيل ECO، درجة الحرارة المضبوطة من المفترض أن تكون 24°م/75°ف أو أعلى، وهذا قد لا يوفر تبريداً كافياً. إذا كنت تشعر بعد الراحة، فاضغط على الزر ECO مرة أخرى لإيقافها.

الوظيفة GEAR: اضغط على الزر لتنشيط الوظيفة GEAR، النسبة 75% تعني أن استهلاك الطاقة الكهربائية يصل إلى 75% والنسبة 50% تعني أنه يصل إلى 50%.

• في ظل تشغيل GEAR، تقوم شاشة وحدة التحكم عن بعد بالتبديل بين استهلاك الطاقة الكهربائية ودرجة الحرارة المضبوطة. **i**

## 6. وظيفة طرد الرماد (اختيارية)

اضغط على زر طرد الرماد لتنشيط الوظيفة. تعمل هذه الميزة على تجنب تدفق الهواء المباشر على الجسم وتجعلك تشعر بالانغماس في البرودة الهادئة.

## 7. الوظيفة Fresh (اختيارية)

اضغط على الزر Fresh لتنشيط وظيفة الصحة. عند تشغيل هذه الوظيفة، يتم توصيل مؤين الهواء/جامع البلازما المغبرة بالطاقة ويقومان بتنظيف الهواء. ينصح باستخدام هذه الوظيفة عندما تكون جودة الهواء الداخلية بحالة سيئة.

## 8. وظيفة النوم

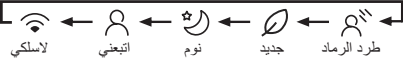
عند الضغط على زر النوم، فسيتم تنشيط الوظيفة الاقتصادية وستزداد درجة الحرارة المضبوطة (التبريد) أو تنخفض (التسخين) بمقدار 1°م (2°ف) كل ساعة ولمدة ساعتين. بعد ذلك يتم الحفاظ على درجة الحرارة النهائية إلى أن يتم تغييرها من قبل المستخدم.

## 12. وظيفة القفل

اضغط على الزر Turbo والزر Clean في نفس الوقت لمدة 5 ثوانٍ، يمكنك قفل وحدة التحكم عن بعد، والضغط على الزر Turbo والزر Clean في نفس الوقت لمدة ثانية واحدة لإلغاء قفلها.

## 13. الوظيفة Set

اضغط على الزر Set لإدخال تحديد الوظيفة ثم اضغط على الزر Set أو الزر \ والزر / لتحديد الوظيفة المطلوبة. الرمز المطابق يومض على الشاشة، اضغط على الزر OK (موافق) لتأكيدهما. لإلغاء تحديد الوظيفة، ما عليك سوى تنفيذ الإجراءات نفسها وفقًا للمذكورة أعلاه.



- إذا كانت وحدة التحكم عن بُعد تحتوي بالفعل على الزر طرد الرماد Breeze Away أو الزر Fresh أو زر النوم Sleep، فلا يمكنك استخدام الزر SET في تحديد الميزة أو Breeze Away أو الميزة Fresh أو Sleep.



## 10. الوظيفة Wireless (اختيارية)

استمر في الضغط على الزر LED لعدد 7 مرات في 10 ثوانٍ، ثم ادخل في حالة الربط اللاسلكي.

• يُرجى الرجوع إلى "دليل التوصيل السريع" لمعرفة تفاصيل التوصيل اللاسلكي.



## 11. وظيفة الاختصار (اختيارية)

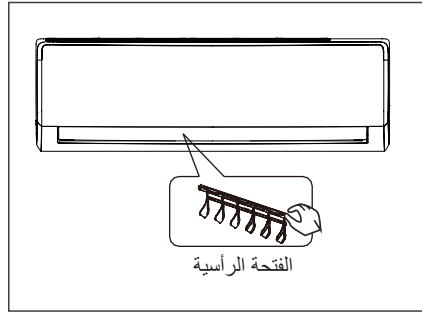
اضغط على زر الاختصار Short cut لتمكين وظيفة الاختصار.

في أول مرة تتصل فيها بالطاقة، عند الضغط على الزر Short cut، تعمل الوحدة في الوضع AUTO وعند درجة حرارة 26 °م وبسرعة مروحة Auto.

اضغط على هذا الزر عندما تكون وحدة التحكم عن بعد قيد التشغيل وسيعود النظام تلقائيًا مرة أخرى إلى الإعداد السابق بما في ذلك وضع التشغيل ودرجة حرارة الإعداد ومستوى سرعة المروحة وميزة النوم (في حالة التنشيط).

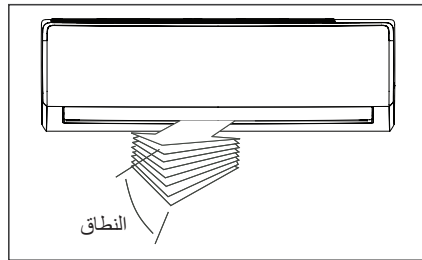
في حالة الضغط لأكثر من ثانيتين، يقوم النظام تلقائيًا باستعادة إعدادات التشغيل الحالية بما في ذلك وضع التشغيل ودرجة حرارة الإعداد ومستوى سرعة المروحة وميزة النوم (في حالة التنشيط).

1. اضبط اتجاه تدفق الهواء بشكل صحيح وإلا فقد يتسبب ذلك في عدم الراحة أو في درجات حرارة غير متساوية في الغرفة.
2. اضبط الفتحة الأفقية باستخدام وحدة التحكم عن بعد.
3. اضبط الفتحة الرأسية باستخدام وحدة التحكم عن بعد.
4. اضبط الفتحة الرأسية يدويًا (في الطرازات التي لا يتوفر بها الوظيفة 3D Swing).



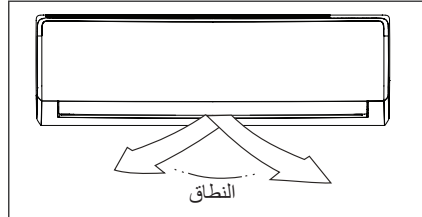
### لضبط اتجاه تدفق الهواء الرأسي (أعلى - أسفل)

قم بتنفيذ هذه الوظيفة أثناء تشغيل الوحدة. استخدم وحدة التحكم عن بعد لضبط اتجاه تدفق الهواء. تتأرجح الفتحة الأفقية لأعلى ولأسفل تلقائيًا.



### لضبط اتجاه تدفق الهواء الأفقي (يسارًا - يمينًا)

قم بتنفيذ هذه الوظيفة أثناء تشغيل الوحدة. استخدم وحدة التحكم عن بعد لضبط اتجاه تدفق الهواء. تتأرجح الفتحة الرأسية لليسر واليمين تلقائيًا.



بالنسبة للطرازات التي لا يتوفر بها الوظيفة 3D Swing، تحتاج إلى تحريك الفتحة الرأسية يدويًا لضبط تدفق الهواء في الاتجاه الذي تفضله.

### مهم!

- لا تضع أصابعك في لوحة المروحة وجانب الشفط. المروحة الداخلية عالية السرعة قد تسبب خطرًا.
- يجب ألا تكون الزاوية المفتوحة للفتحة الأفقية صغيرة جدًا، فقد يضعف أداء التبريد أو التسخين بسبب المحودية الشديدة لمنطقة تدفق الهواء.
- لا تحرك الفتحة الأفقية يدويًا، وإلا فستكون الفتحة الأفقية غير متزامنة. يُرجى التوقف عن التشغيل، وفصل الطاقة لبيع ثوان، ثم إعادة تشغيل مكيف الهواء.
- لا تقم بتشغيل الوحدة في ظل وجود الفتحة الأفقية في الوضع المغلق.

### تحذير!



- لا تقم بتشغيل مكيف الهواء لفترات طويلة مع ضبط اتجاه تدفق الهواء لأسفل في الوضع البارد أو الوضع الجاف. وإلا قد يحدث تكاثف على سطح الفتحة الأفقية مما يتسبب في سقوط الرطوبة على الأرض أو على المفروشات.
- عند بدء تشغيل مكيف الهواء فور إيقافه، قد لا تتحرك الفتحة الأفقية لمدة 10 ثوان تقريبًا. الفتحة في وضع مغلق.

نطاقات درجة حرارة التشغيل		
نوع مناخ الطراز	درجة الحرارة المحيطة (التبريد)	درجة الحرارة المحيطة (التسخين)
T1	18 درجة مئوية~43 درجة مئوية (السرعة الثابتة)	7- درجة مئوية~24 درجة مئوية (السرعة الثابتة)
	0 درجة مئوية~50 درجة مئوية (نوع العاكس)	15- درجة مئوية~30 درجة مئوية (نوع العاكس)
T3	18 درجة مئوية~52 درجة مئوية (السرعة الثابتة)	7- درجة مئوية~24 درجة مئوية (السرعة الثابتة)
	0 درجة مئوية~52 درجة مئوية (نوع العاكس)	15- درجة مئوية~30 درجة مئوية (نوع العاكس)

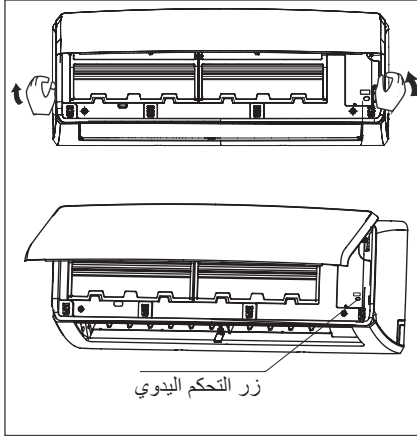
### مهم!

1. يتحقق الأداء الأمثل في نطاق درجات حرارة التشغيل هذه. إذا تم استخدام مكيف الهواء خارج الظروف المذكورة أعلاه، فقد يتم تشغيل بعض ميزات حماية السلامة وتتسبب في عمل الوحدة بصورة غير طبيعية.

2. إذا كان مكيف الهواء يعمل لفترة طويلة في وضع التبريد وكانت الرطوبة مرتفعة، فقد يتساقط الماء المكثف خارج الوحدة. يُرجى ضبط فتحة تدفق الهواء الرأسية عند أقصى زاوية لها (رأسياً على الأرضية)، وضبط وضع المروحة العالية.

## 9. التشغيل الطارئ

الوحدات مزودة بمفتاح لتشغيل وضع التشغيل في حالات الطوارئ. يمكن الوصول إليه عن طريق فتح اللوحة الأمامية. يُستخدم هذا المفتاح في التشغيل اليدوي في حالة فشل وحدة التحكم عن بعد في العمل أو في حالة فشل الصيانة الضرورية.



1. افتح اللوحة الأمامية وارفعها بزاوية حتى تظل ثابتة في مكانها وتصدر صوت نقر.
2. اضغط مرة واحدة على مفتاح التحكم اليدوي يؤدي إلى التشغيل القسري للوضع AUTO. إذا ضغطت على المفتاح مرتين خلال خمس ثوانٍ، فستعمل الوحدة في ظل التشغيل القسري للوضع COOL.
3. أحكم غلق اللوحة في موضعها الأصلي.



- يجب إيقاف تشغيل الوحدة قبل تشغيل زر التحكم اليدوي. إذا كانت الوحدة قيد التشغيل، استمر في الضغط على زر التحكم اليدوي حتى تتوقف الوحدة.
- يُستخدم هذا المفتاح في أغراض الاختبار فقط. كان من الأفضل ألا تختاره.
- لاستعادة تشغيل وحدة التحكم عن بُعد، استخدم وحدة التحكم عن بُعد مباشرةً.

## 10.1 قبل الصيانة

أوقف تشغيل النظام قبل التنظيف. للتنظيف، امسح بقطعة قماش مرنة وجافة. لا تستخدم مادة مبيضة مواد كاشطة.



## تحذير!

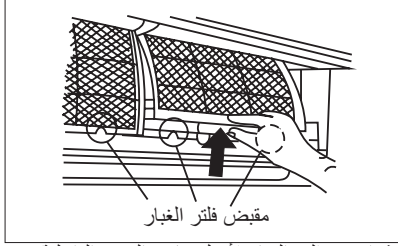
يجب فصل مصدر إمداد الطاقة قبل تنظيف الوحدة الداخلية.



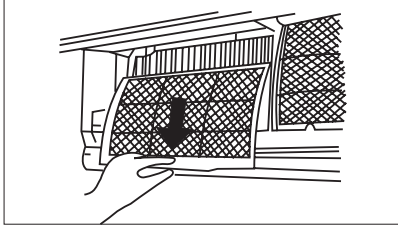
• يمكن استخدام قطعة قماش رطبة بالماء البارد على الوحدة الداخلية إذا كانت شديدة الاتساخ. ثم امسحها بقطعة قماش جافة.

• عند تنظيف الوحدة، لا تستخدم قطعة قماش معالجة بمادة كيميائية ولا تستخدم منفضة غبار. لا تستخدم البنزين أو التتر أو مسحوق تلميع أو المذيبات المماثلة للتنظيف. قد يتسبب ذلك في تشقق السطح البلاستيكي أو تشوهه.

• لا تستخدم أبداً سخونتها تزيد عن 40 م°/104 م° لتنظيف اللوحة الأمامية وإلا قد يتسبب ذلك في حدوث تشوه وتغير في اللون.

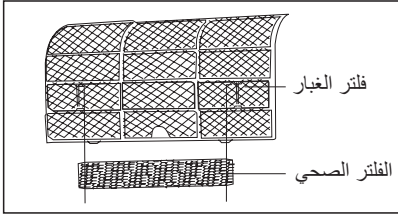


3. ثم اسحب فلتر الغبار لأسفل خارج الوحدة الداخلية.

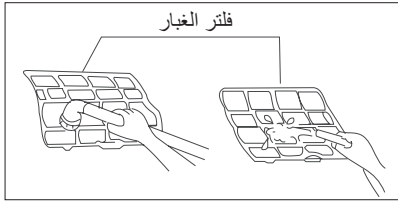


4. فلتر تنقية الهواء الصحي (إن وجد) مثبت على فلتر الغبار.

• قم بترك الفلتر الصحي من إطار دعم فلتر الغبار.



- نظف الفلتر الصحي كل 3 أشهر على الأقل واستبدله كل 6 أشهر.
- نظف المكنسة الكهربائية إن أمكن.
- نظف فلتر الغبار بالمكنسة الكهربائية أو بالماء، ثم جففه في مكان بارد.



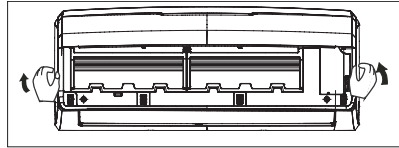
## 10.2 تنظيف الوحدة

لا تسمح للوحدة إلا بقطعة قماش جافة وناعمة. إذا كانت الوحدة شديدة الاتساخ، فامسحها بقطعة قماش منقوعة في ماء دافئ.

## 10.3 تنظيف الفلاتر

فلتر الهواء المسدود يقلل من كفاءة تبريد هذه الوحدة. يُرجى تنظيف الفلتر مرة واحدة كل أسبوعين.

1. ارفع اللوحة الأمامية للوحدة الداخلية بزاوية حتى تتوقف مع دعم كامل من الكتيفة.



2. أمسك مقبض فلتر الغبار وارفعه قليلاً لإخراجه من حامل الفلتر.

3. قم بتركيب فلتر تنقية هواء جديد.
4. أعد تركيب فلتر الهواء وأحكم غلق اللوحة الأمامية.

## 10.6 الإعداد لفترات عدم التشغيل الطويلة

إذا كنت تخطط لإيقاف الوحدة عن العمل لفترة طويلة، فقم بما يلي:

1. نظف الوحدة الداخلية والفلاتر.
2. قم بتشغيل المروحة لمدة نصف يوم تقريباً لتجفيف الجزء الداخلي من الوحدة.
3. أوقف مكيف الهواء وأفضل الطاقة.
4. قم بفك البطاريات من وحدة التحكم عن بعد. الوحدة الخارجية تتطلب صيانة دورية وتنظيفاً دورياً. لا تحاول أن تفعل هذا بنفسك. اتصل بوكيلك أو مقدم الخدمة.

## 10.7 فحص ما قبل الموسم

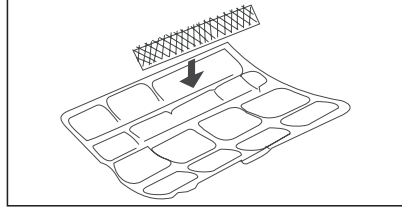
1. تحقق من عدم وجود قطع أو فصل في الأسلاك.
2. نظف الوحدة الداخلية والفلاتر.
3. تحقق من تركيب فلتر الهواء.
4. تحقق من عدم انسداد مخرج الهواء أو مدخل الهواء إذا ترك مكيف الهواء بلا استخدام مدة طويلة.

### تحذير!

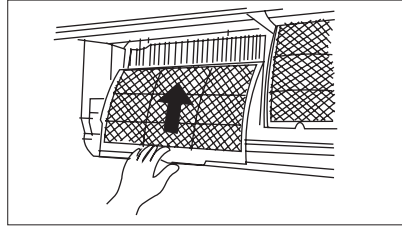


- لا تلمس الأجزاء المعدنية للوحدة عند إزالة الفلتر. قد تحدث إصابات عند التعامل مع الحواف المعدنية الحادة.
- لا تستخدم الماء في تنظيف داخل مكيف الهواء. التعرض على الماء قد يؤدي إلى تدمير المادة العازلة، مما يؤدي إلى صدمة كهربائية محتملة.
- عند تنظيف الوحدة، تأكد أولاً من إيقاف الطاقة وإيقاف قاطع الدائرة.
- لا تغسل فلتر الهواء بماء ساخن حرارته أعلى من 40°م/104°ف. تخلص من الرطوبة تماماً وجففها في الظل. لا تعرضه للشمس مباشرة، فقد يتقلص حجمه.

5. أعد تركيب فلتر تنقية الهواء في موضعه.



6. أدخل الجزء العلوي من فلتر الهواء مرة أخرى في الوحدة، مع الحرص على محاذاة الحواف اليمنى واليسرى بصورة صحيحة ووضع الفلتر في موضعه.



## 10.4 تنظيف مخرج الهواء واللوحه

1. استخدم قطعة قماش جافة وناعمة لمسحه.
2. يمكن استخدام الماء النقي أو المنظفات الخفيفة إذا كانت شديدة الاتساخ.

### تحذير!



- لا تستخدم البنزين أو التتر أو مسحوق تلميع أو المذيبات المماثلة للتنظيف. قد يتسبب ذلك في تشقق السطح و نشووه.
- لتجنب خطر التعرض إلى صدمة كهربائية أو نشوب حريق، لا تدع الماء يسقط في الوحدة الداخلية.
- لا تسمح فتحة التهوية بعنف.
- مكيف الهواء الذي بدون فلتر الهواء لا يمكنه طرد الغبار من الغرفة، وهذا قد يتسبب في حدوث أعطال بسبب التراكم.

## 10.5 استبدال الفلاتر

1. قم بفك فلتر الهواء.
2. قم بفك فلتر تنقية الهواء.



قد تحدث الأحداث التالية أثناء التشغيل العادي.

#### 1. حماية ضاغط مكيف الهواء

- لا يمكن إعادة تشغيل الضاغط لمدة 3-4 دقائق بعد إيقافه.

#### 2. ميزة الهواء البارد المضاد (طرازات التبريد والتسخين فقط)

- تم تصميم الوحدة بحيث لا تنفخ الهواء البارد في الوضع HEAT، عندما يكون مبدل الحرارة الداخلي في إحدى الحالات الثلاث التالية ولم يتم الوصول إلى درجة الحرارة المضبوطة.

أ) عندما يكون التسخين بدأ توا.

ب) فك تجمد الطعام.

ج) التسخين بدرجة حرارة منخفضة.

- تتوقف المروحة الداخلية أو الخارجية عن العمل عند فك التجمد (طرازات التبريد والتسخين فقط).

#### 3. فك التجمد (طرازات التبريد والتسخين فقط)

- قد يكون ثلج على الوحدة الخارجية أثناء دورة الحرارة عندما تكون درجة الحرارة الخارجية منخفضة وعندما تكون الرطوبة عالية مما يؤدي إلى انخفاض كفاءة التسخين بمكيف الهواء.

- في أثناء هذه الحالة، سيتوقف مكيف الهواء عن عملية التسخين ويبدأ تلقائيًا في فك التجمد.

- قد يختلف وقت إذابة الثلج من 4 إلى 10 دقائق وفقًا لدرجة الحرارة الخارجية وكمية الثلج المتكون على الوحدة الخارجية.

#### 4. ضباب أبيض يخرج من الوحدة الداخلية

- قد يتكون ضباب أبيض بسبب الاختلاف الكبير في درجات الحرارة بين مدخل الهواء ومخرج الهواء في الوضع COOL في بيئة داخلية ذات رطوبة نسبية عالية.

- قد يتكون ضباب أبيض بسبب الرطوبة الناتجة عن عملية فك التجمد عند إعادة تشغيل مكيف الهواء في الوضع HEAT بعد فك التجمد.

#### 5. ضجيج غير طبيعي لمكيف الهواء

- قد تسمع صوت هسهسة منخفضًا عند تشغيل الضاغط أو بعد توقفه مباشرة. إنه صوت المبرد يتدفق أو في سبيله للتوقف.

- قد تسمع صوت صرير منخفضًا عند تشغيل الضاغط أو بعد توقفه مباشرة. يحدث ذلك بسبب التمدد بالحرارة والانكماش بالبرودة للأجزاء البلاستيكية في الوحدة عندما تتغير درجة الحرارة.

- قد تسمع ضجيجًا بسبب استعادة الفتحة إلى موضعها الأصلي عند تشغيل الطاقة.

#### 6. نفخ الغبار من الوحدة الداخلية

- هذه حالة طبيعية عند عدم استخدام مكيف الهواء لفترة طويلة أو عند أول استخدام للوحدة.

#### 7. تتبع رائحة غريبة من الوحدة الداخلية

- يحدث هذا بسبب إطلاق الوحدة الداخلية لروائح تتبع من مواد البناء أو الأثاث أو الدخان.

#### 8. يقوم مكيف الهواء بتحويل وضع المروحة FAN فقط من الوضع COOL أو الوضع HEAT (طرازات التبريد والتسخين فقط)

- عندما تصل درجة الحرارة الداخلية إلى إعداد درجة الحرارة المضبوطة بمكيف الهواء، سوف يتوقف الضاغط تلقائيًا ويتحول مكيف الهواء إلى وضع المروحة FAN فقط. يبدأ الضاغط في العمل مرة أخرى عندما ترتفع درجة الحرارة الداخلية في الوضع COOL أو تنخفض في الوضع HEAT (طرازات التبريد والتسخين فقط).

#### 9. عدم كفاية التسخين (طرازات التبريد والتسخين فقط)

- يقوم مكيف الهواء بسحب الحرارة من الوحدة الخارجية ويطلقها عبر الوحدة الداخلية أثناء تشغيل التسخين. عندما تنخفض درجة الحرارة الخارجية، تنخفض تبعًا لذلك الحرارة التي يسحبها مكيف الهواء. في نفس الوقت، يزيد التحويل الحراري لمكيف الهواء بسبب الاختلاف الكبير بين درجة الحرارة الداخلية والخارجية. إذا تعذر على مكيف الهواء الوصول إلى درجة حرارة مريحة، فننصح عليك استخدام جهاز تدفئة إضافي.

(التشغيل/إيقاف التشغيل) الموجود بوحدة التحكم عن بُعد. في الوحدة التي يتوفر بها ميزة إعادة التشغيل التلقائي، عند استعادة الطاقة تتم إعادة تشغيل الوحدة تلقائيًا مع الاحتفاظ بجميع الإعدادات السابقة بواسطة وظيفة الذاكرة.

#### 10. وظيفة إعادة التشغيل التلقائي

- انقطاع التيار الكهربائي أثناء التشغيل يؤدي إلى إيقاف الوحدة تمامًا.
- في لوحدة التي لا يتوفر بها ميزة إعادة التشغيل التلقائي، عند استعادة الطاقة يومض مؤشر التشغيل الموجود بالوحدة الداخلية لمدة ثانية واحدة. لإعادة تشغيل العملية، اضغط على الزر ON/OFF

المشكلة	استمرار مؤشر التشغيل أو المؤشرات الأخرى في الوميض.
	إذا ظهر أحد الرموز التالية في منطقة العرض: • F(x) ، P(x) ، E(x) • EC(xx) ، EL(xx) ، EH(xx) • PC(xx) ، PL(xx) ، PH(xx)
أوقف مكيف الهواء فوراً وافصل الطاقة واتصل بأقرب مركز خدمة عملاء.	يفجر المصهر بشكل متكرر أو ينطلق قاطع الدائرة بشكل متكرر.
	سقوط أشياء أخرى أو ماء في مكيف الهواء.
	اشتمام روائح كريهة أو سماع أصوات غير طبيعية.

الأعطال	السبب	ما المطلوب فعله؟	
الوحدة لا تبدأ التشغيل	انقطاع الطاقة	انتظر حتى تتم استعادة الطاقة.	
	الوحدة تصبح غير موصلة.	تحقق من توصيل المقبس في قابس الحائط بإحكام.	
الوحدة لا تقوم بالتبريد أو لا تقوم بالتسخين (طرازات التبريد/التسخين فقط) الغرفة جيداً رغم تدفق الهواء من مكيف الهواء	انفجار المنصهر.	استبدل المنصهر.	
	نفاد بطارية وحدة التحكم عن بعد.	استبدل البطارية.	
	الوق الذي عينته في المؤقت غير صحيح.	انتظر أو قم بإلغاء إعداد المؤقت.	
	إعداد درجة الحرارة غير صحيح.	اضبط درجة الحرارة بشكل صحيح للحصول على طريقة مفصلة، راجع القسم "كيفية استخدام وحدة التحكم عن بعد".	
	فلتر الهواء مسدود.	نظف فلتر الهواء.	
	الأبواب أو النوافذ مفتوحة.	أغلق الأبواب والنوافذ.	
	انسداد مدخل أو مخرج الهواء للوحدة الداخلية أو الخارجية.	قم بإزالة العوائق أولاً، ثم أعد تشغيل الوحدة.	
	تم تنشيط حماية الضاغط لمدة 3 دقائق.	انتظر	
	إذا لم يتم تصحيح المشكلة، يرجى الاتصال بالوكيل لمجلي أو أقرب مركز خدمة عملاء. تأكد من إبلاغهم بالأعطال المفصلة ورقم طراز الوحدة. لا تحاول إصلاح الوحدة بنفسك. استشر دائماً مقدم الخدمة المعتمد.		

## 13. التخلص الصحيح من المنتج



تشير هذه العلامة إلى أنه ينبغي عدم التخلص من هذا المنتج مع النفايات المنزلية الأخرى في جميع أنحاء الاتحاد الأوروبي. لمنع الضرر المحتمل على البيئة أو صحة الإنسان من التخلص غير المنضبط من النفايات، قم بإعادة تدويرها بشكل مسؤول لتعزيز إعادة الاستخدام المستدام للموارد المادية. لإرجاع جهازك المستخدم، يُرجى استخدام أنظمة الإرجاع والتجميع أو الاتصال ببائع التجزئة الذي تم شراء المنتج منه. يمكنهم أخذ هذا المنتج لإعادة تدويره بطريقة آمنة بيئيًا.



## SOMMAIRE

1. INSTRUCTIONS DE SÉCURITÉ.....	3
2. DESCRIPTION DU PRODUIT.....	5
3. AFFICHAGE DE L'UNITÉ INTÉRIEURE .....	6
4. TÉLÉCOMMANDE.....	6
5. DESCRIPTION DE LA TÉLÉCOMMANDE .....	8
6. COMMENT UTILISER LA TÉLÉCOMMANDE .....	13
7. COMMENT UTILISER L'UNITÉ INTÉRIEURE .....	19
8. TEMPÉRATURE DE FONCTIONNEMENT .....	20
9. FONCTIONNEMENT D'URGENCE .....	20
10. NETTOYAGE ET ENTRETIEN .....	21
11. CONSEILS D'UTILISATION.....	23
12. DÉPANNAGE .....	25
13. MISE AU REBUT .....	26

## NOUS PENSONS À VOUS

Merci d'avoir choisi un appareil Electrolux. Vous avez choisi un produit qui bénéficie de décennies d'expérience professionnelle et d'innovation. Ingénieux et élégant, il a été pensé pour vous. C'est la raison pour laquelle vous pouvez avoir la certitude d'obtenir d'excellents résultats à chaque utilisation.

Bienvenue chez Electrolux.

### Consultez notre site pour :



Obtenir des conseils d'utilisation, des brochures, de l'aide, des informations sur le service :

**[www.electrolux.com](http://www.electrolux.com)**



Enregistrer votre produit pour un meilleur service :

**[www.electrolux.com/productregistration](http://www.electrolux.com/productregistration)**



Acheter des accessoires, consommables et pièces de rechange d'origine pour votre appareil :

**[www.electrolux.com/shop](http://www.electrolux.com/shop)**

## SERVICE CLIENTÈLE ET APRÈS-VENTE

Nous vous recommandons d'utiliser des pièces de rechange d'origine.

Avant de vous adresser à un centre de service après-vente agréé, assurez-vous de disposer des informations suivantes :

Les informations se trouvent sur la plaque signalétique. Modèle, PNC, numéro de série



Avertissement : informations relatives à la sécurité.



Informations générales et astuces.



Informations environnementales.

Sujet à modification sans préavis.

# 1. INSTRUCTIONS DE SÉCURITÉ

Avant d'installer et d'utiliser cet appareil, lisez attentivement les instructions fournies. Le fabricant décline toute responsabilité en cas de dommages dus au non-respect de ces instructions. Conservez toujours les instructions avec l'appareil pour référence ultérieure.

## 1.1 Sécurité des enfants et des personnes vulnérables



### AVERTISSEMENT !

Risque d'asphyxie, de blessure ou d'invalidité permanente.

- Cet appareil n'est pas destiné à être utilisé par des enfants ou des personnes dont les capacités physiques, sensorielles ou mentales sont réduites, ou dénuées d'expérience ou de connaissance, à moins qu'ils soient correctement surveillés ou instruits quant à l'utilisation de l'appareil par une personne responsable de leur sécurité.
- Veillez à ce que les enfants ne jouent pas avec l'appareil.

## 1.2 Installation et utilisation



### AVERTISSEMENT !

Risque d'asphyxie, de blessure ou d'invalidité permanente.

- Contactez un installateur agréé pour installer cet appareil.
- Contactez un technicien agréé pour la réparation ou l'entretien de cet appareil.
- La prise de courant requise pour l'alimentation doit avoir été installée par un professionnel agréé.
- Si le câble d'alimentation est endommagé, son remplacement doit être confié exclusivement au fabricant, à son service après-vente ou à toute autre personne qualifiée afin d'éviter tout danger.
- Les travaux d'installation doivent être effectués conformément aux normes nationales de câblage et aux règles de service des fournisseurs d'électricité par un technicien agréé uniquement.
- Si l'unité doit être déplacée vers un autre emplacement ou mise au rebut, seule une personne dûment qualifiée peut entreprendre ce travail.
- Si vous remarquez une situation inhabituelle, telle qu'une odeur de brûlé, éteignez le climatiseur et contactez un agent de maintenance Electrolux. Si cette situation persiste, le climatiseur peut être endommagé voire provoquer un choc électrique ou un incendie.
- N'utilisez pas le climatiseur avec les mains mouillées. Cela peut provoquer une électrocution.
- N'endommagez ou coupez pas le câble d'alimentation ni les autres câbles. Si cela se produit, faites-le réparer ou remplacer par un technicien agréé.
- Ne branchez pas ce climatiseur à une multiprise.
- Éteignez l'alimentation électrique du climatiseur si vous ne l'utilisez pas pendant une période prolongée. Sinon, il accumulera la poussière ce qui peut provoquer un incendie.
- Avant de nettoyer le climatiseur, débranchez l'alimentation électrique afin d'éliminer tout risque d'électrocution.
- L'alimentation électrique doit être adaptée au climatiseur. Les climatiseurs équipés d'un câble d'alimentation doivent être branchés directement sur une prise secteur dotée d'un interrupteur de sécurité approprié. Les climatiseurs câblés doivent être raccordés à un disjoncteur approprié.
- Assurez-vous que l'alimentation électrique du climatiseur est stable et répond aux exigences stipulées dans le manuel d'installation.
- Assurez-vous toujours que le produit est installé avec une mise à la terre appropriée.
- Pour plus de sécurité, veillez à éteindre le disjoncteur avant toute opération d'entretien ou de nettoyage, ou lorsque le produit n'est pas utilisé pendant

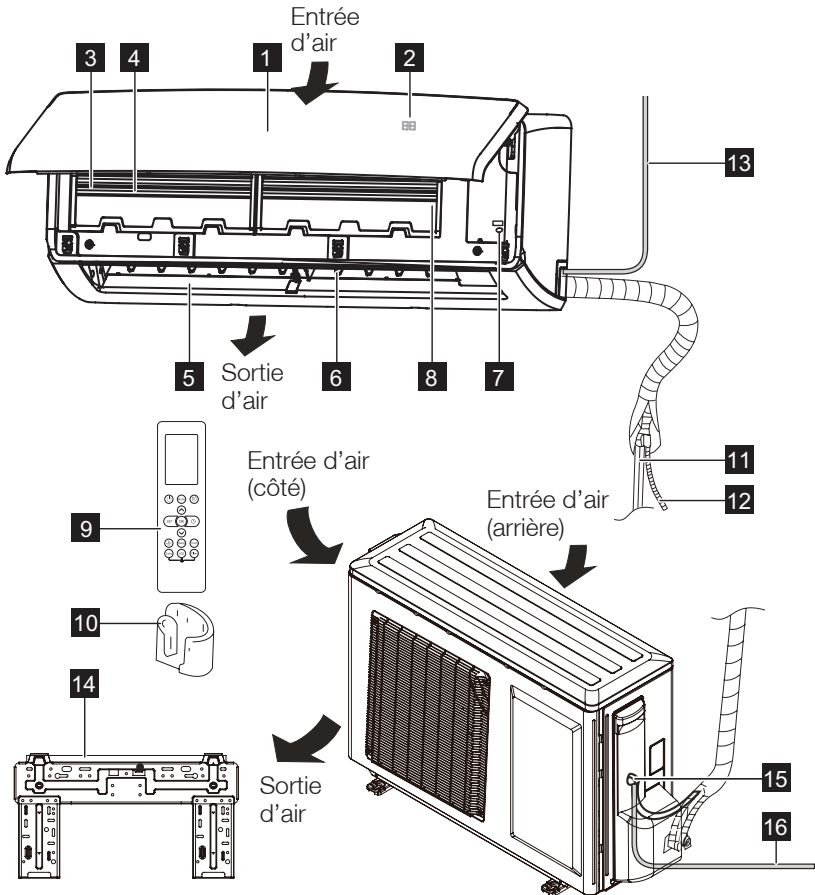
une période prolongée. La poussière accumulée peut provoquer un incendie ou un choc électrique.

- Sélectionnez la température la plus appropriée. Vous économiserez ainsi que l'électricité.
- Ne laissez pas les fenêtres et les portes ouvertes pendant une longue période en cours de fonctionnement. Cela entraînera des performances insuffisantes.
- Ne bloquez pas l'entrée ou la sortie d'air. Cela entraînera des performances insuffisantes et des dysfonctionnements.
- Tenez les matériaux combustibles éloignés des unités d'au moins 1 mètre. Ces derniers pourraient provoquer un incendie.
- Ne marchez pas sur le haut de l'élément extérieur et n'y placez aucun objet lourd. Cela pourrait provoquer des dommages ou des blessures.
- N'essayez pas de réparer vous-même le climatiseur. Des réparations incorrectes peuvent provoquer une électrocution ou un incendie. Contactez le service après-vente agréé.
- N'introduisez pas les mains ou les objets dans l'entrée ou la sortie d'air. Cela peut provoquer des blessures.
- N'exposez pas les animaux ou les plantes directement à l'air.
- N'utilisez pas l'appareil à d'autres fins, telles que la conservation des aliments ou le séchage des vêtements.
- N'aspersion pas d'eau sur le climatiseur. Cela peut provoquer un choc électrique ou un dysfonctionnement.



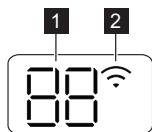
## 2. DESCRIPTION DE L'APPAREIL

**i** Toutes les images de ce manuel sont données à titre indicatif uniquement. La forme réelle de l'unité intérieure que vous avez achetée peut être légèrement différente sur la façade avant et la fenêtre d'affichage. La forme réelle doit prévaloir.



- |          |                                       |           |   |
|----------|---------------------------------------|-----------|---|
| <b>1</b> | Panneau avant                         | <b>10</b> | Support de télécommande (sur certaines unités uniquement) |
| <b>2</b> | Affichage numérique                   | <b>11</b> | Tuyau de réfrigérant                                      |
| <b>3</b> | Filtre à air                          | <b>12</b> | Flexible de vidange                                       |
| <b>4</b> | Pré-filtre à poussière                | <b>13</b> | Câble d'alimentation (sur certaines unités uniquement)    |
| <b>5</b> | Volet de débit d'air horizontal       | <b>14</b> | Plaque de montage   |
| <b>6</b> | Volet d'aération vertical (intérieur) | <b>15</b> | Câble de connexion  |
| <b>7</b> | Touche de commande manuelle           | <b>16</b> | Câble d'alimentation (sur certaines unités uniquement)    |
| <b>8</b> | Générateur d'ions (le cas échéant)    |           |   |
| <b>9</b> | Télécommande                          |           |   |

## 3. AFFICHAGE DE L'UNITÉ INTÉRIEURE



### 1 Voyant de TEMPÉRATURE

- Affiche le réglage ou la température ambiante lorsque l'appareil est en fonctionnement.
- Affiche un code d'anomalie en cas de panne.
- Affiche le code d'alarme lorsque certaines fonctions sont activées.

### 2 Voyant sans fil (en option)


- S'allume lorsque la fonction Wi-Fi est activée.

### \*\*Code d'entité dans l'affichage de l'unité intérieure

- «**0N**» s'affiche pendant 3 secondes lorsque le démarrage différé est sélectionné ou que la fonction Swing, Turbo ou Quiet est activée.
- «**0F**» s'affiche pendant 3 secondes lorsque le minuteur est désactivé ou que la fonction Swing, Turbo ou Quiet est désactivée.
- «**cF**» s'affiche lorsque la fonction Air anti-froid est activée.
- «**dF**» s'affiche lorsque l'appareil est en mode dégivrage.
- «**CL**» s'affiche lorsque la fonction Self Clean (auto-nettoyage) est activée (modèles de type réversible).  
s'affiche lorsque l'appareil est en mode auto-nettoyage (modèles de type fixe).
- «**FP**» s'affiche lorsque La fonction de chauffage 8°C est activée (sur certaines unités uniquement).

## 4. TÉLÉCOMMANDE

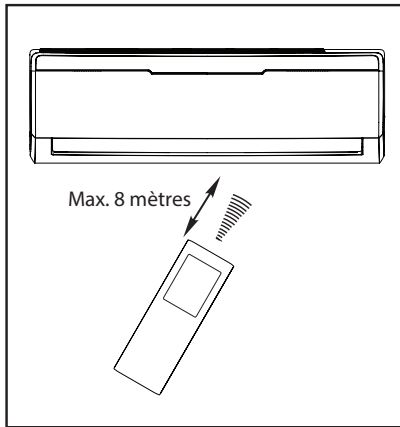
### 4.1 Comment utiliser la télécommande

1. Maintenez la télécommande dans une zone où son signal peut accéder au récepteur de l'unité intérieure.
2. Lorsque vous faites fonctionner le climatiseur, assurez-vous que la télécommande est pointée vers le récepteur de signal de l'unité intérieure.
3. Lorsque la télécommande envoie un signal, le symbole  clignote sur son affichage.
4. L'élément intérieur émet un bip sonore lorsqu'il reçoit le signal de la télécommande.
5. Appuyez sur la touche de la télécommande et renvoyez le signal si vous n'entendez pas un bip sonore provenant de l'unité intérieure.



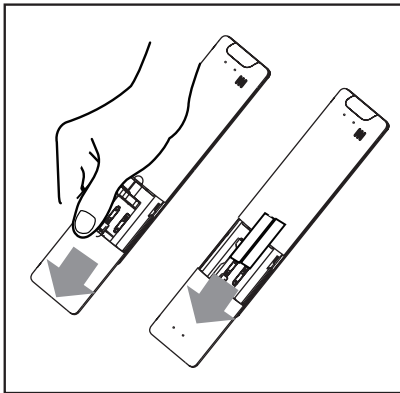
- Le climatiseur ne fonctionne pas si des rideaux, des portes ou d'autres matériaux bloquent les signaux de la télécommande vers l'unité intérieure.
- Empêchez tout liquide de tomber dans la télécommande. N'exposez pas la télécommande aux rayons directs du soleil ou à la chaleur.
- Si le récepteur du signal infrarouge de l'unité intérieure est exposé à la lumière directe du soleil, le climatiseur peut ne pas fonctionner correctement. Utilisez des rideaux pour éviter que le récepteur ne soit exposé au soleil.
- Si d'autres appareils électriques réagissent à la télécommande, déplacez ces appareils ou consultez votre revendeur local.

## 4.2 Emplacement de la télécommande



- Laissez la télécommande où son signal peut accéder au récepteur de l'unité intérieure (une distance maximale de 8 m est autorisée).
- Lorsque la télécommande envoie un signal, le symbole  $\hat{\wedge}$  clignote sur l'affichage. L'élément intérieur reconnaît le signal en émettant un bip sonore lorsqu'il reçoit un signal efficace.

## 4.3 Installation/remplacement des piles

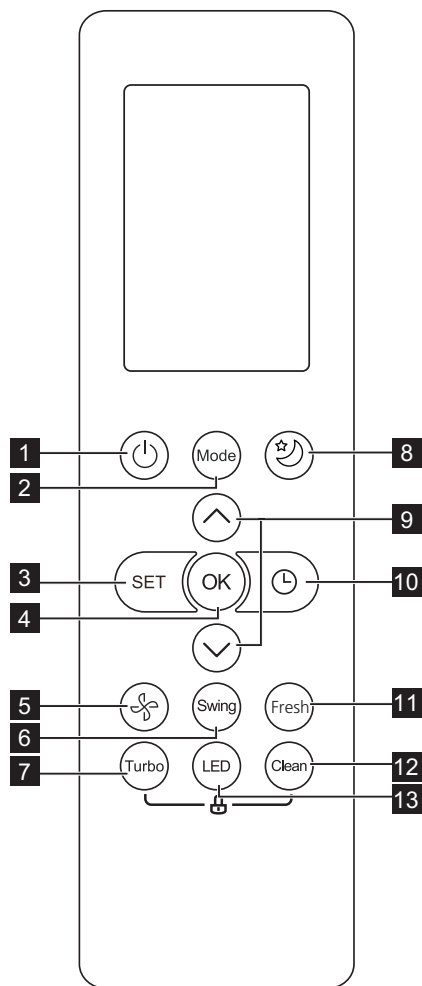


- Retirez le cache arrière de la télécommande, exposant le compartiment des piles et insérez deux piles alcalines neuves (2 x AAA 1,5 volts). Vérifiez que la polarité (+) ou (-) est correctement installée.
- Remettez le cache du compartiment des piles en place.

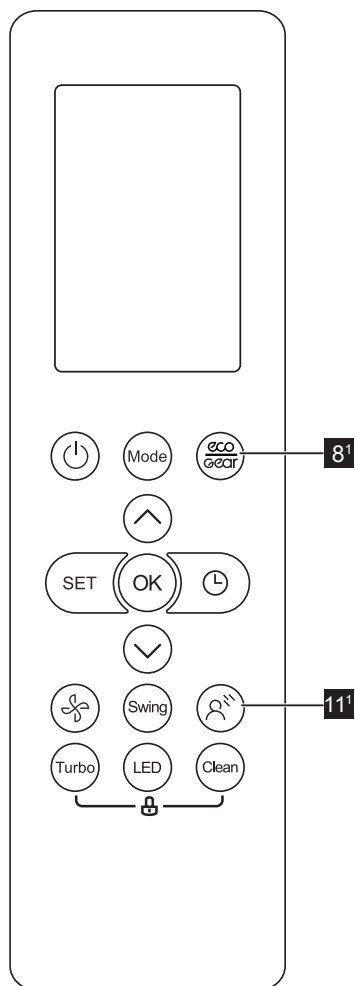


- Si vous changez de piles, n'utilisez pas de vieilles piles ou de piles différentes car elles pourraient provoquer des problèmes avec la télécommande.
- Si la télécommande n'est pas utilisée pendant longtemps, retirez les piles car les anciennes piles peuvent fuir ou rouiller et endommager la télécommande.
- La durée de vie de la batterie en fonctionnement normal est d'environ six mois.
- Si la télécommande ne fonctionne pas normalement, retirez et remplacez les piles. Si le fonctionnement anormal persiste, remplacez-le par des piles neuves.

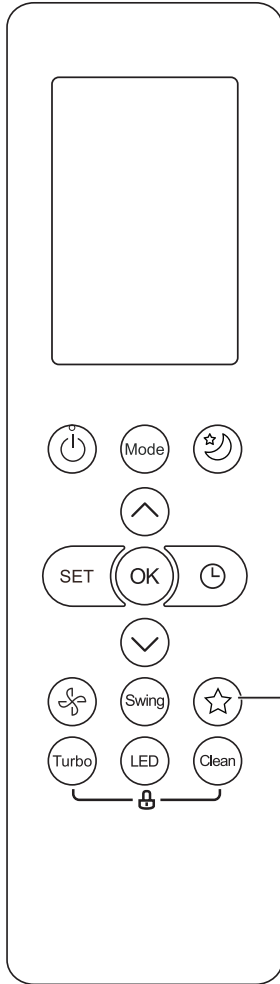
## 5. DESCRIPTION DE LA TÉLÉCOMMANDE



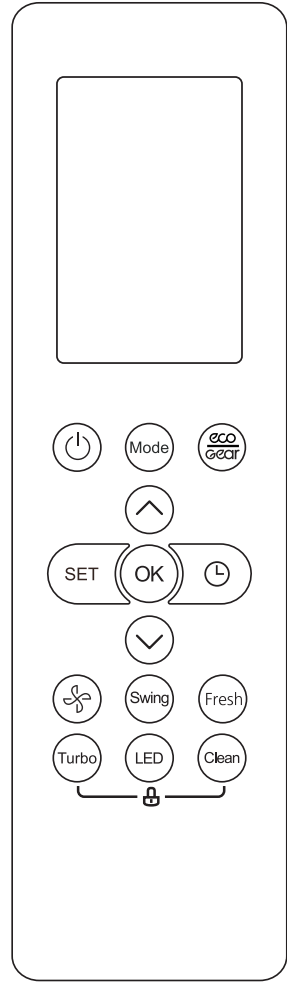
**Type A**



**Type B**

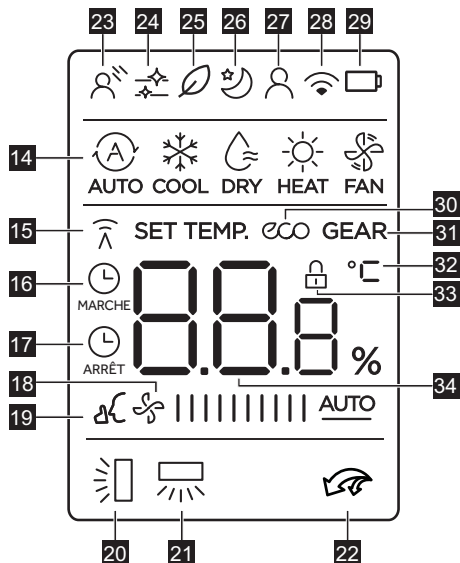


**Type C**



**Type D**

11<sup>2</sup>



## 1. TOUCHE MARCHÉ/ARRÊT

Appuyez sur la touche pour allumer ou éteindre l'appareil

## 2. TOUCHE MODE

Appuyez sur la touche pour sélectionner le mode de fonctionnement : AUTO, COOL (refroidissement), DRY (déshumidification), HEAT (chauffage) et FAN (ventilateur). Réglage par défaut : AUTO.



- Pour les modèles à refroidissement uniquement, il n'y a pas de mode HEAT disponible.
- En mode AUTO, l'utilisateur peut toujours sélectionner la température souhaitée.

## 3. TOUCHE RÉGLAGE

Appuyez sur la touche pour sélectionner certaines fonctions avancées.

Le symbole de sélection de la fonction clignote sur l'affichage, appuyez sur la touche OK pour confirmer.

Voir le chapitre « Comment utiliser la télécommande » pour la description de

la fonction SET dans les détails.

## 4. TOUCHE OK

appuyez sur la touche pour confirmer la fonction que vous avez sélectionnée dans la fonction SET.

## 5. TOUCHE FAN (VENTILATEUR)

Appuyez sur la touche pour régler la vitesse du ventilateur : AUTO, LOW (basse), MEDIUM (moyenne) et HIGH (élevée). Réglage par défaut : AUTO. En mode AUTO et DRY, la vitesse du ventilateur ne peut pas être réglée.

Silence		1%
		2%-20%
LOW		21%-40%
MED		41%-60%
HIGH		61%-80%
		81%-100%
AUTO	<u>AUTO</u>	



- Sur certains modèles, aucune valeur de vitesse du ventilateur n'est affichée autre qu'« AUTO » et 100 %.


## 6. TOUCHE SWING

Appuyez sur la touche pour arrêter ou faire bouger le volet vertical ou régler la direction du flux d'air gauche/droite. Appuyez sur la touche pendant plus de 2 secondes pour arrêter ou activer la fonction de basculement automatique du volet horizontal. Réglage par défaut : ARRÊT.

## 7. TOUCHE TURBO

En mode COOL (refroidissement) ou HEAT (chauffage), appuyez sur la touche pour activer ou désactiver la fonction turbo. Si la fonction Turbo est activée, l'appareil fonctionnera à vitesse turbo pour refroidir ou chauffer rapidement, de sorte que la température ambiante approche de la température réglée le plus rapidement possible.

## 8. TOUCHE SLEEP (NUIT)

Appuyez sur la touche pour activer ou désactiver la fonction Sleep (nuit). Si la fonction Nuit est activée, le symbole Sleep «  » s'affiche. Réglage par défaut : ARRÊT.

## 8<sup>1</sup>. TOUCHE ÉCO/ENGRENAGE

Appuyez sur cette touche pour activer le mode Éco ou GEAR Energy.

## 9. TOUCHE TEMP

Appuyez sur la touche pour augmenter/diminuer la température. Maintenez la touche enfoncée pendant deux secondes pour accélérer le processus.

Plage de températures 16-30°C.

Plage de températures (modèles 30-36 K) : 17-30°C.

Plage de températures (modèles EAU) : 20-28°C.

Dans la fonction Minuteur, utilisez la touche pour régler le minuteur.

## 10. TOUCHE DU MINUTEUR

Appuyez sur la touche pour régler la fonction Minuteur pour allumer/éteindre l'appareil. Reportez-vous au chapitre « Comment utiliser la télécommande » pour obtenir plus de détails sur la fonction Minuteur.

## 11. TOUCHE FRESH

Appuyez sur la touche pour activer/désactiver la fonction Fresh. Réglage par défaut : ARRÊT.

## 11<sup>1</sup>. TOUCHE BRISE PLUS

Appuyez sur la touche pour activer la fonction Breeze Away. Réglage par défaut : ARRÊT.

## 11<sup>2</sup>. TOUCHE SHORT CUT (RACCOURCI)

Appuyez sur la touche pour activer la fonction Short cut (raccourci).

## 12. TOUCHE AUTO CLEAN

Appuyez sur la touche pour activer/désactiver la fonction de nettoyage automatique. Réglage par défaut : ARRÊT.

## 13. TOUCHE LED

Appuyez sur la touche pour allumer ou éteindre l'unité intérieure. Réglage par défaut : MARCHE.

## 14. AFFICHAGE DU MODE

Affiche le mode actuellement sélectionné. Notamment AUTO, COOL, DRY, HEAT et FAN.

## 15. VOYANT DE TRANSMISSION

S'affiche lorsque la télécommande transmet des signaux à l'unité intérieure.

## 16. AFFICHAGE TIMER-ON

S'affiche lorsque la fonction Timer-On est activée.

## 17. AFFICHAGE TIMER-OFF

S'affiche lorsque la fonction Timer-Off est activée.

## 18. AFFICHAGE DE LA VITESSE DU VENTILATEUR

Affiche la vitesse du ventilateur sélectionnée : AUTO, LOW (basse), MED (moyenne) et HIGH (élevée). Lorsque le mode AUTO ou DRY est sélectionné, le signal « AUTO » s'affiche.

## 19. AFFICHAGE SILENCIEUX

Apparaît lorsque la fonction Quiet est activée. L'unité fonctionnera avec la vitesse du ventilateur la plus basse.

## 20. AFFICHAGE SWING UP/DOWN (FACULTATIF)

S'affiche lorsque la fonction Swing est activée, le symbole correspondant s'affiche si vous sélectionnez une direction différente/orientée vers le bas.

## 21. AFFICHAGE SWING 3D (FACULTATIF)

S'affiche lorsque la fonction Swing 3D est activée.

## 22. AFFICHAGE TURBO (FACULTATIF)

Apparaît lorsque la fonction Turbo est activée.

## 23. AFFICHAGE BREEZE AWAY

S'affiche lorsque la fonction Breeze Away est activée.

## 24. AFFICHAGE AUTO- NETTOYAGE (FACULTATIF)

S'affiche lorsque la fonction Auto Clean est activée.

## 25. AFFICHAGE FRAIS (FACULTATIF)

Apparaît lorsque la fonction Fresh est activée.

## 26. AFFICHAGE SLEEP (VEILLE)

Apparaît lorsque la fonction Nuit est activée.

## 27. AFFICHAGE FOLLOW ME

Apparaît lorsque la fonction Follow Me est activée.

## 28. AFFICHAGE DE CONTRÔLE SANS FIL

Apparaît lorsque la fonction de commande sans fil est activée.

## 29. AFFICHAGE DES PILES

Affiche le statut de la batterie, vous rappelle de remplacer la batterie.

## 30. AFFICHAGE ECO

Apparaît lorsque la fonction Eco est activée.

## 31. AFFICHAGE DE L'ENGRENAGE

Apparaît lorsque la fonction Gear est activée.

## 32. AFFICHAGE °C/°F

°C/°F peut être activé en appuyant sur  $\wedge$  et  $\vee$  simultanément pendant 3 secondes.



- Pour certains modèles, il n'y a pas de fonction.

## 33. AFFICHAGE DU VERROUILLAGE

Apparaît lorsque la fonction Verrouillage est activée.

## 34. AFFICHAGE DE LA TEMPÉRATURE/MINUTEUR/ VITESSE DU VENTILATEUR

Affiche la température réglée par défaut, la vitesse du ventilateur ou le réglage du minuteur lorsque vous utilisez les fonctions Minuteur.

Plage de réglages du minuteur : 0 à 24 heures

Plage de réglages de vitesse du ventilateur : AU - 100 % (sur certains modèles)

Cet affichage est vide lorsque vous utilisez le mode FAN (ventilateur).

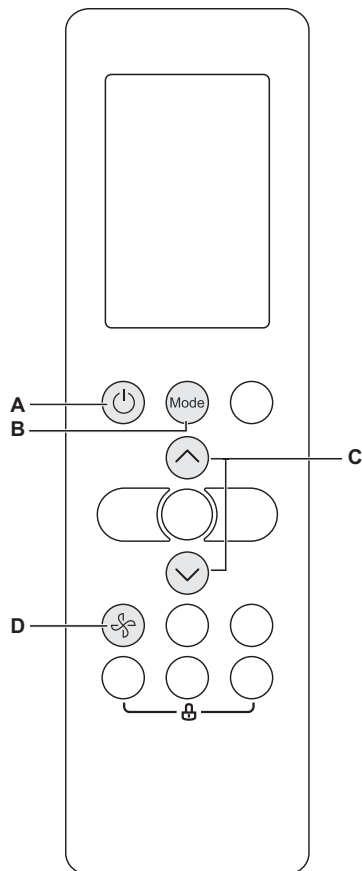


- Reportez-vous au chapitre « Comment utiliser la télécommande » pour la description des fonctions dans les détails.



- i** Assurez-vous que l'appareil est branché et que la puissance est disponible. Le voyant OPERATION du panneau d'affichage de l'unité intérieure s'allume.

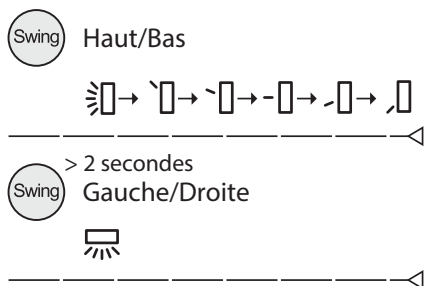
### Fonctionnement de base



1. Appuyez sur la touche MARCHÉ/ ARRÊT **(A)** pour démarrer le climatiseur.
2. Appuyez sur la touche MODE **(B)** pour sélectionner Auto, Cool, Dry, Fan ou Heat.
3. Appuyez sur la touche **+ / -** Touche **(C)** pour régler la température souhaitée. La température peut être réglée par pas de 1°C. Maintenez la touche enfoncée pendant deux secondes pour accélérer le processus.
4. Appuyez sur la touche FAN SPEED **(D)** pour sélectionner la vitesse du ventilateur.
5. Appuyez sur la touche MARCHÉ/ ARRÊT **(A)** pour éteindre le climatiseur.

- i**
- En mode Auto, le climatiseur choisit logiquement le mode Cool, Fan et Heat en détectant la différence entre la température ambiante réelle et la température réglée sur la télécommande.
  - En mode Auto et Dry, la vitesse du ventilateur ne peut pas être activée.
  - En mode Fan (ventilateur), vous ne pouvez pas régler la température de réglage.

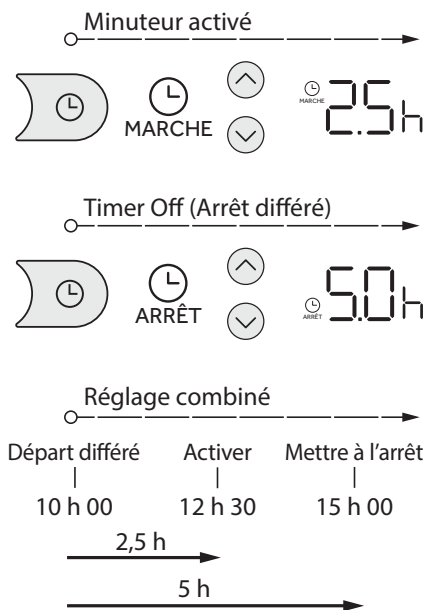
## Fonctionnement Swing (basculement)



Appuyez sur la touche Swing pour régler la direction du flux d'air souhaitée.

1. Le volet horizontal bascule automatiquement en appuyant sur la touche Swing. Appuyez à nouveau sur pour le faire arrêter.
2. Chaque fois que vous appuyez sur la touche, le volet bouge avec un angle. (Sur certains modèles, cette fonction n'existe pas. L'écran n'affichera donc pas l'angle défini).
3. Si vous maintenez la touche enfoncée durant plus de 2 secondes, la fonction oscillation 3D (en option) est activée, le volet bascule automatiquement vers la gauche et la droite. Maintenez la touche enfoncée pendant plus de 2 secondes pour la désactiver.

## Fonctionnement du minuteur



Appuyez sur la touche Timer pour régler l'heure d'allumage et l'heure d'arrêt de l'appareil.

### Exemple de minuteur

1. Appuyez sur la touche Timer. Le symbole et la durée du minuteur s'affichent.
2. Appuyez sur la touche  $\wedge$  ou  $\vee$  pour régler le minuteur souhaité à temps pour allumer l'appareil au bout de 2,5 heures.
3. Pointez la télécommande vers l'unité intérieure et attendez 1 seconde, puis la fonction Timer on (minuteur de départ) est activée. L'affichage numérique de votre télécommande revient ensuite à l'affichage de température. Le voyant Timer on reste allumé et cette fonction est activée.

### Exemple de réglage de la minuterie

1. Appuyez sur la touche Timer jusqu'à ce que le symbole de désactivation de la minuterie et la durée s'affichent.
2. Appuyez sur la touche  $\wedge$  ou  $\vee$  pour éteindre l'appareil au bout de 5 heures.

- 3.** Pointez la télécommande vers l'unité intérieure et attendez 1 seconde, puis la fonction Timer Off (minuteur d'arrêt) s'active. L'affichage numérique de votre télécommande revient ensuite à l'affichage de température. Le voyant Timer off reste allumé et cette fonction est activée.



- Lorsque vous réglez les fonctions Timer (minuteur) ou Timer Off (minuteur de départ), jusqu'à 10 heures, la durée augmente par paliers de 30 minutes à chaque fois que vous appuyez sur la touche. Au bout de 10 heures et jusqu'à 24 heures, elle augmente par paliers d'1 heure. Le minuteur revient à zéro après 24 heures.
- Vous pouvez annuler l'une ou l'autre fonction en réglant son minuteur sur « 0.0h ».

### Exéchantillon du réglage du minuteur combiné

Il est 10 h 00 et vous souhaitez démarrer le climatiseur au bout de 2,5 heures et l'arrêter au bout de 5 heures.

- 1.** Suivez les réglages du minuteur pour régler l'heure de fonctionnement à 2,5 heures.
- 2.** Appuyez sur la touche Timer pour régler l'heure de désactivation de 5 heures.
- 3.** Les voyants Timer on (minuteur de départ) et Timer off (minuteur d'arrêt) s'affichent sur la télécommande, le réglage du minuteur combiné est activé.
- 4.** L'appareil s'allume alors à 12 h 30 et s'éteint à 15 h 00.

## Opérations avancées

	Touche	Affichage
1		
2		
3	Plus de 2 secondes	
4	2 fois en 1 seconde	FP
5	↑ ↓	eco GEAR
6		
7		
8		
9	Plus de 7 secondes	
10	7 fois en 10 secondes	
11		
12		
13		

**1. Fonction Turbo (en option)**

Appuyez sur la touche Turbo pour activer ou désactiver la fonction fonction turbo. Avec la fonction Turbo l'appareil va atteindre la température désirée le plus rapidement possible. Lorsque vous avez besoin d'un refroidissement ou d'une chaleur rapide, vous pouvez choisir cette fonction.

**2. Fonction Self Clean**

Appuyez sur la touche Clean pour activer la fonction Self Clean, votre appareil se nettoie alors automatiquement. Après le nettoyage, l'appareil s'éteint automatiquement. Des bactéries en suspension dans l'air peuvent se développer dans l'humidité présente autour du condenseur thermique de l'appareil. Avec une utilisation régulière, la majeure partie de cette humidité s'évapore de l'appareil. Vous pouvez utiliser la fonction auto-nettoyage aussi souvent que vous le souhaitez.

**3. Fonction Quiet (silencieux)**

Appuyez sur la touche Ventilateur pendant plus de 2 secondes pour activer ou désactiver la fonction Quiet. Lorsque la fonction Silencieux est activée, le ventilateur fonctionne à vitesse lente. Cette fonction vise à vous offrir un environnement à faible niveau sonore.

**4. 8°C Mode de chauffage (optionnel)**

Lorsque le climatiseur fonctionne en mode chauffage avec la température définie au minimum, appuyez sur le bouton « √ » deux fois en une seconde pour activer la fonction de chauffage à 8 °C. L'appareil fonctionne à une température de consigne de 8°C et l'affichage de l'unité intérieure indique « FP ».

**5. Fonction ECO/GEAR (facultatif)**

En mode Cool (refroidissement), appuyez sur la touche ECO/GEAR pour passer en mode économie d'énergie en séquence comme suit :



Fonction Éco En mode refroidissement, appuyez sur la touche ; la télécommande ajuste automatiquement la température

à 24°C/75°F, vitesse du ventilateur Auto pour économiser l'énergie (uniquement lorsque la température réglée est inférieure à 24°C/75°F). Si la température réglée est supérieure à 24°C/75°F, appuyez sur la touche ; la vitesse du ventilateur passe à Auto, la température réglée reste inchangée.



- En appuyant sur la touche ECO, ou en modifiant le mode ou en réglant la température réglée à moins de 24°C/75°F arrête le fonctionnement ECO.
- En mode ECO, la température réglée doit être de 24°C/75°F ou plus, cela peut entraîner un refroidissement insuffisant. Si vous sentez mal à l'aise, appuyez de nouveau sur la touche ÉCO pour l'arrêter.

Fonction GEAR : Appuyez sur cette touche pour activer la fonction GEAR, 75 % pour une consommation d'énergie jusqu'à 75 % et 50 % pour une consommation d'énergie de 50 %.



- En mode GEAR, l'affichage de la télécommande alterne entre la consommation d'énergie électrique et la température réglée.

## 6. Fonction Breeze Away (en option)

Appuyez sur la touche Breeze Away pour activer la fonction. Cette fonction évite le soufflage direct de l'air sur le corps et vous garantit une fraîcheur onctueuse.

## 7. Fonction Fresh (facultatif)

Appuyez sur la touche Fresh pour activer la fonction Health. Lorsque la fonction est activée, le ioniseur/collecteur de poussière plasma (selon les modèles) est mis sous tension et aide à purifier l'air. Cette fonction est recommandée lorsque la qualité de l'air intérieur est en mauvais état.

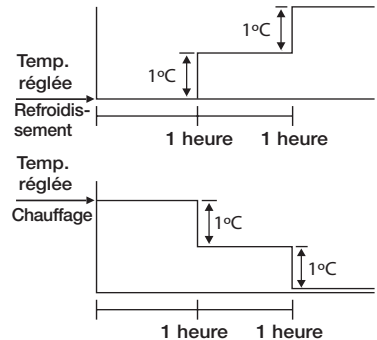
## 8. Fonction Sleep (nuit)

Lorsque vous appuyez sur la touche Sleep, la fonction économique est activée, la température réglée augmente (refroidissement) ou diminue (chauffage) de 1°C (2°F) par paliers d'une heure. La température finale sera alors maintenue

jusqu'à ce que l'utilisateur effectue des modifications supplémentaires.



La fonction SLEEP n'est pas disponible en mode FAN (ventilateur) ou DRY (déshumidification).



## 9. Fonction Follow Me

Maintenez la touche Turbo enfoncée pendant plus de 7 secondes pour activer la fonction mémoire de la fonction Follow Me. La fonction Follow Me permet à la télécommande de mesurer la température à son emplacement actuel et d'envoyer ce signal au climatiseur tous les 3 minutes. En utilisant les modes AUTO, COOL ou HEAT, la mesure de la température ambiante de la télécommande (au lieu de l'unité intérieure lui-même) permet au climatiseur d'optimiser la température autour de vous et de garantir un confort optimal.



- Si la fonction mémoire est activée, « ON » s'affiche pendant 3 secondes à l'écran.
- Appuyez sur les touches Set et OK pour désactiver la fonction Follow Me (Suivez-moi) ; reportez-vous au chapitre « Détartrage des fonctions » pour obtenir plus de détails.
- Si la fonction mémoire est désactivée, « OF » s'affiche pendant 3 secondes à l'écran.
- Lorsque la fonction Mémoire est activée, appuyez sur la touche Marche/Arrêt, déplacez le mode ou la panne de courant n'annule

pas la fonction Follow me.

## 10. Fonction sans fil (en option)

Appuyez en continu sur la touche LED 7 fois en 10 secondes, puis entrez le statut de liaison sans fil.



- Veuillez vous reporter au « Guide de connexion rapide » pour les détails de connexion sans fil.

## 11. Fonction Short Cut (raccourci) (facultatif)

Appuyez sur la touche Short cut pour activer ou désactiver la fonction Short cut (raccourci).

Lors de la première connexion à la puissance, si vous appuyez sur la touche Short cut (raccourci), l'appareil fonctionnera en mode AUTO, 26°C et la vitesse du ventilateur est Auto.

Appuyez sur cette touche lorsque la télécommande est allumée, le système revient automatiquement aux réglages précédents, y compris le mode de fonctionnement, la température réglée, le niveau de vitesse du ventilateur et la fonction nuit (si activée).

En cas d'activation de plus de 2 secondes, le système restaure automatiquement les réglages de fonctionnement actuels, y compris le mode de fonctionnement, la température réglée, le niveau de vitesse du ventilateur et la fonction nuit (si activée).

## 12. Fonctions de l'horloge

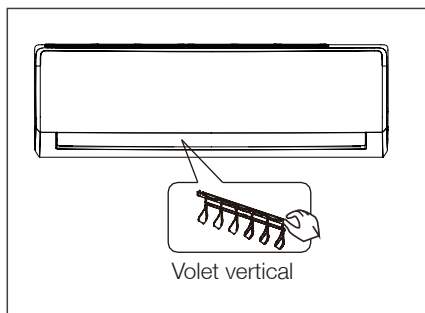
Appuyez simultanément sur les touches Turbo et Clean pendant 5 secondes pour verrouiller la télécommande et appuyez simultanément sur les touches Turbo et Clean pendant 1 seconde pour le déverrouiller.

## 13. Réglez la fonction :

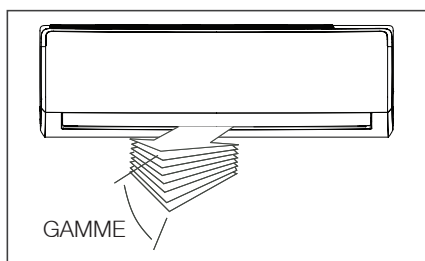
Appuyez sur la touche Set pour entrer dans la fonction de sélection des fonctions, puis appuyez sur la touche Set ou  $\wedge$  et  $\vee$  pour sélectionner la fonction souhaitée. Le symbole correspondant clignote sur la zone d'affichage, appuyez sur la touche OK pour confirmer. Pour annuler la fonction sélectionnée, effectuez les mêmes procédures que ci-dessus.



- Si votre télécommande est déjà dotée de la touche Breeze Away, de la touche Fresh ou de la touche Sleep, vous ne pouvez pas utiliser la touche SET pour sélectionner la fonction Breeze Away, Fresh ou Sleep.

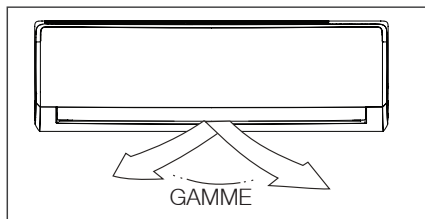


1. Ajustez correctement la direction du flux d'air car cela peut provoquer une gêne ou causer des températures de pièce inégales.
2. Ajustez le volet horizontal à l'aide de la télécommande.
3. Ajustez le volet vertical à l'aide de la télécommande.
4. Réglez manuellement le volet vertical (pour les modèles sans fonction de basculement 3D).



### Pour régler le débit d'air vertical (Haut - Bas)

Effectuez cette fonction lorsque l'appareil est en fonctionnement. Utilisez la télécommande pour régler la direction du flux d'air. Le volet horizontal bascule automatiquement vers le haut et le bas.



### Pour régler la direction du flux d'air horizontal (Gauche - Droite)

Effectuez cette fonction lorsque l'appareil est en fonctionnement. Utilisez la télécommande pour régler la direction du flux d'air. Le volet vertical bascule automatiquement vers la gauche et la droite.

Pour les modèles sans fonction de basculement 3D, vous devez déplacer manuellement le volet vertical pour régler le flux d'air dans la direction que vous préférez.



### AVERTISSEMENT !

- N'utilisez pas le climatiseur pendant de longues périodes avec le flux d'air vers le bas en mode Cool ou Dry. Dans le cas contraire, la condensation peut se produire sur la surface du volet horizontal, provoquant une chute d'humidité sur le sol ou sur les meubles.
- Lorsque le climatiseur démarre immédiatement après son arrêt, le volet horizontal peut ne pas bouger pendant environ 10 secondes. Volet en position fermée.

### IMPORTANT :

Ne mettez pas vos doigts dans le ventilateur et le côté aspiration. Le ventilateur à grande vitesse à l'intérieur peut provoquer des risques.

- L'angle du volet horizontal ne doit pas être trop petit car les performances de REFROIDISSEMENT ou CHAUFFAGE peuvent être réduites en raison d'une zone de débit d'air trop limitée.
- Ne déplacez pas le volet horizontal manuellement, sinon le volet horizontal ne sera pas synchronisé. Cessez d'utiliser, débranchez l'appareil pendant quelques secondes, puis redémarrez le climatiseur.
- Ne faites pas fonctionner l'appareil avec le volet horizontal en position fermée.

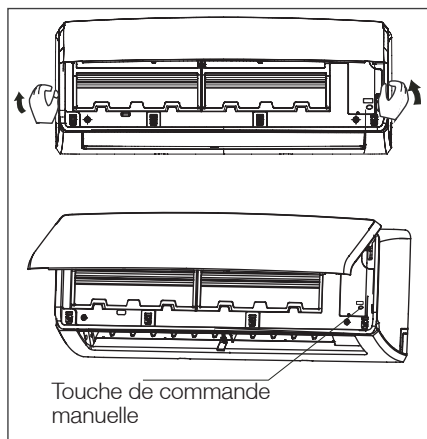
## 8. TEMPÉRATURE DE FONCTIONNEMENT

Plages de températures de fonctionnement		
Type climatique modèle	Température ambiante (Refroidissement)	Température ambiante (Chauffage)
T1	18 °C ~ 43 °C (modèles de type fixe)	-7 °C ~ 24 °C (modèles de type fixe)
	0 °C ~ 50 °C (modèles de type réversible)	-15 °C ~ 30 °C (modèles de type réversible)
T3	18 °C ~ 52 °C (modèles de type fixe)	-7 °C ~ 24 °C (modèles de type fixe)
	0 °C ~ 52 °C (modèles de type réversible)	-15 °C ~ 30 °C (modèles de type réversible)

### Important !

- Des performances optimales seront obtenues dans ces températures de fonctionnement. Si le climatiseur est utilisé en extérieur des conditions ci-dessus, certaines protections de sécurité peuvent s'en trouver opérationnelles et provoquer une fonction anormale de l'appareil.
- Si le climatiseur fonctionne longtemps en mode refroidissement et que l'humidité est élevée, l'eau de condensation peut s'égoutter de l'appareil. Veuillez régler le volet vertical de débit d'air jusqu'à son angle maximal (verticalement sur le sol) et régler le mode VENTILATEUR HAUT.

## 9. FONCTIONNEMENT D'URGENCE



Les unités sont équipées d'un interrupteur pour lancer le mode de fonctionnement d'urgence. Pour accéder à l'appareil, ouvrez la façade avant. Cet interrupteur est utilisé pour un fonctionnement manuel si la télécommande ne fonctionne pas ou ne nécessite pas d'entretien.

- Ouvrez et soulevez le panneau avant jusqu'à ce qu'il reste fixé par un clic.
- Une pression sur l'interrupteur de commande manuel entraîne le fonctionnement automatique de l'AUTO. Si vous appuyez deux fois sur l'interrupteur dans les cinq secondes, l'appareil fonctionne en mode REFROIDISSEMENT forcé.
- Fermez fermement le panneau à sa position d'origine.



- L'appareil doit être éteint avant d'utiliser la touche de commande manuelle. Si l'appareil est en fonctionnement, continuez à appuyer sur la touche de commande manuelle jusqu'à ce que l'appareil soit éteint.
- Cet interrupteur est utilisé à des fins de test uniquement. Vous n'avez plus besoin de le choisir.
- Pour restaurer la télécommande, utilisez directement la télécommande.



# 10. NETTOYAGE ET ENTRETIEN

## 10.1 Avant la maintenance

Éteignez le système avant de le nettoyer. Pour le nettoyer, essuyez avec un chiffon doux et sec. N'utilisez pas d'eau de Javel ni d'abrasifs.



### AVERTISSEMENT !

Avant de nettoyer l'unité intérieure, débranchez-la.



- Un chiffon humidifié d'eau froide peut être utilisé sur l'unité intérieure s'il est très sale. Essuyez-le ensuite avec un chiffon sec.
- N'utilisez pas de chiffon traité chimiquement pour nettoyer l'appareil.
- N'utilisez pas de benzine, de diluant, de poudre de polissage ou de solvants similaires pour le nettoyage. La surface en plastique pourrait se fissurer ou se déformer.
- N'utilisez jamais d'eau chaude de plus de 40°C pour nettoyer le panneau avant, cela pourrait entraîner une déformation et une décoloration.

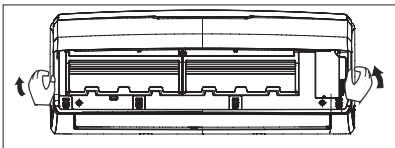
## 10.2 Nettoyage de l'appareil

Essuyez l'appareil à l'aide d'un chiffon doux et sec uniquement. Si l'appareil est très sale, essuyez-le avec un chiffon imbibé d'eau chaude.

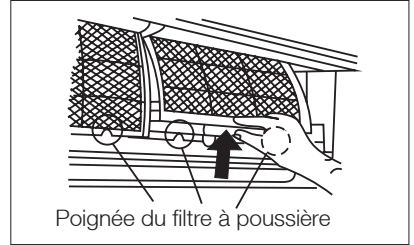
## 10.3 Nettoyage des filtres

Un filtre à air obstrué réduit l'efficacité du refroidissement de cet appareil. Nettoyez le filtre toutes les 2 semaines.

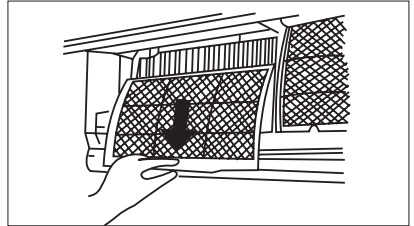
1. Soulevez le panneau avant de l'unité intérieure jusqu'à ce qu'il s'arrête et qu'il repose entièrement sur le support.



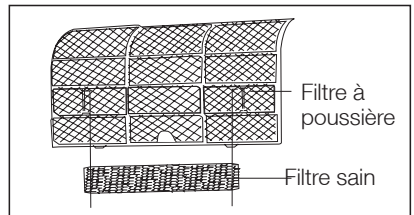
2. Tenez la poignée du filtre à poussière et soulevez-la légèrement pour la sortir du support de filtre.



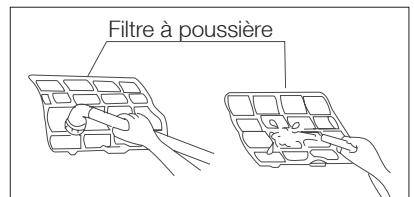
3. Puis tirez le filtre à poussière vers le bas pour l'extraire de l'unité intérieure.



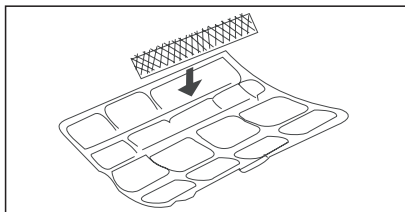
4. Le filtre rafraîchisseur d'air sain (si présent) est fixé sur le filtre à poussière.
  - Retirez le filtre sain du cadre du support du filtre à poussière.



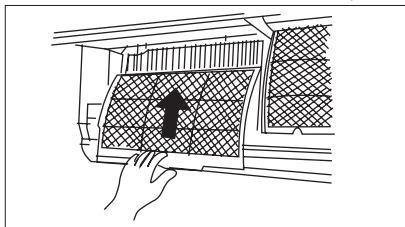
- Nettoyez le filtre sain au moins tous les 3 mois et remplacez-le tous les 6 mois.
- Nettoyez avec l'aspirateur si possible. Nettoyez le filtre à poussière à l'aide d'un aspirateur ou d'eau, puis séchez-le dans un endroit frais.



- Remettez en place le filtre de rafraîchissement de l'air.



- Remettez la partie supérieure du filtre à air dans l'appareil en veillant à ce que les bords gauche et droit soient alignés correctement et remettez le filtre en place.



## 10.4 Nettoyage de la sortie d'air et du panneau

- Essuyez-le avec un chiffon sec et doux.
- Vous pouvez utiliser une eau pure ou un détergent doux s'il est très sale.



### AVERTISSEMENT !

- N'utilisez pas de benzine, de diluant, de poudre de polissage ou de solvants similaires pour le nettoyage. La surface peut se fissurer ou se déformer.
- Pour éviter tout risque d'électrocution ou d'incendie, ne laissez pas d'eau tomber dans l'unité intérieure.
- N'essuyez jamais le volet de débit d'air violemment.
- Un climatiseur sans filtre à air ne peut pas évacuer la poussière de la pièce, ce qui entraînerait des dysfonctionnements par l'accumulation.

## 10.5 Remplacement des filtres

- Retirez le filtre à air.
- Retirez le purificateur d'air.

- Installez un nouveau filtre rafraîchisseur d'air.
- Remettez le filtre à air en place et fermez correctement la façade avant.

## 10.6 Préparation pour un fonctionnement prolongé

Si vous prévoyez de faire fonctionner l'appareil pendant une période prolongée, effectuez les opérations suivantes :

- Nettoyez l'unité intérieure et les filtres.
- Faites fonctionner le ventilateur pendant environ une demi-journée pour sécher l'intérieur de l'appareil.
- Arrêtez le climatiseur et débranchez-le.
- Retirez les piles de la télécommande. L'élément extérieur nécessite une maintenance et un nettoyage réguliers. N'essayez pas de le faire vous-même. Contactez votre revendeur ou votre fournisseur de service.

## 10.7 Inspection présaison

- Vérifiez que le câblage n'est pas cassé ou débranché.
- Nettoyez l'unité intérieure et les filtres.
- Vérifiez que le filtre à air est installé.
- Vérifiez que la sortie d'air ou l'arrivée d'air est bloquée après que le climatiseur n'a pas été utilisé depuis longtemps.



### AVERTISSEMENT !

- Ne touchez pas les parties métalliques de l'appareil lors du retrait du filtre. Des blessures peuvent se produire lors de la manipulation de bords tranchants en métal.
- N'utilisez pas d'eau pour nettoyer l'intérieur du climatiseur. L'eau peut détruire l'isolation et provoquer un choc électrique.
- Lors du nettoyage de l'appareil, vérifiez d'abord que l'alimentation et le disjoncteur sont éteints.
- Ne lavez pas le filtre à air avec de l'eau chaude à plus de 40°C. Secouez complètement l'humidité et séchez-la à l'ombre. Ne l'exposez pas directement au soleil, il risque de se rétrécir.

# 11. CONSEILS D'UTILISATION

Les événements suivants peuvent se produire en fonctionnement normal.

## 1. Protection du compresseur du climatiseur

- Le compresseur ne peut pas redémarrer pendant 3 à 4 minutes après l'arrêt.

## 2. Air anti-froid (modèles de refroidissement et chauffage uniquement)

- L'appareil est conçu pour ne pas souffler d'air froid en mode HEAT (chauffage) lorsque l'échangeur de chaleur intérieur est dans l'une des trois situations suivantes et que la température réglée n'est pas atteinte.
  - Lorsque le chauffage vient de démarrer.
  - Dégivrage.
  - Chauffage à basse température.
- Le ventilateur intérieur ou extérieur s'arrête de fonctionner lors du dégivrage (modèles de refroidissement et chauffage uniquement).

## 3. Dégivrage (modèles de refroidissement et chauffage uniquement)

- Le givre peut être généré sur l'unité extérieure pendant le cycle de chauffage lorsque la température extérieure est basse et que l'humidité est élevée, ce qui réduit l'efficacité de chauffage du climatiseur.
- Pendant ce temps, le climatiseur arrête le chauffage et commence le dégivrage automatiquement.
- Le temps de dégivrage peut varier de 4 à 10 minutes en fonction de la température extérieure et de la quantité de givre accumulée sur l'élément extérieur.

## 4. Une buée blanche sortant de l'unité intérieure

- Une buée blanche peut se produire en raison d'une grande différence de température entre l'arrivée d'air et la sortie d'air en mode COOL (refroidissement) dans un environnement intérieur ayant une humidité relative élevée.
- Une buée blanche peut produire une formation d'humidité due au processus de dégivrage lorsque le climatiseur redémarre en mode HEAT (chauffage) après le dégivrage.

## 5. Bruit anormal du climatiseur

- Vous pouvez entendre un léger sifflement lorsque le compresseur fonctionne ou vient de s'arrêter. Il s'agit du bruit émis par le réfrigérant qui s'écoule ou s'arrête.
- Vous pouvez également entendre un léger « grincement » lorsque le compresseur fonctionne ou vient de s'arrêter. Ceci est dû à l'expansion de chaleur et à la contraction froide des parties en plastique de l'appareil lorsque la température change.
- On peut entendre un bruit dû au volet restaurer sa position d'origine lorsque l'alimentation est mise sous tension.

## 6. L'unité intérieure a expulsé de la poussière

Il s'agit d'une condition normale lorsque le climatiseur n'a pas été utilisé pendant longtemps ou lors de la première utilisation de l'appareil.

## 7. L'élément intérieur dégage une odeur particulière

Ce phénomène est causé par l'unité intérieure qui dégage les odeurs imprégnées des matériaux de construction, des meubles ou de la fumée.

## 8. Le climatiseur passe en mode FAN uniquement par le mode COOL (refroidissement) ou HEAT (chauffage et chauffage)

Lorsque la température intérieure atteint la température réglée sur le climatiseur, le compresseur s'arrête automatiquement et le climatiseur passe en mode FAN (ventilateur) uniquement. Le compresseur redémarre lorsque la température intérieure augmente en mode COOL (refroidissement) ou tombe en mode HEAT (chauffage et chauffage uniquement).

## 9. Chauffage insuffisant (uniquement pour les modèles de refroidissement et chauffage)

Le climatiseur aspire la chaleur de l'unité extérieure et la libère via l'unité intérieure durant le chauffage. Lorsque la température extérieure tombe, la chaleur absorbée par le

climatiseur diminue en conséquence. En même temps, la charge de chaleur du climatiseur augmente en raison d'une plus grande différence entre la température intérieure et extérieure. Si vous ne parvenez pas à obtenir une température confortable par le climatiseur, nous vous suggérons d'utiliser un dispositif de chauffage supplémentaire.

#### **10. Fonction Redémarrage automatique**

- Une coupure de courant en cours de fonctionnement empêchera l'appareil de fonctionner complètement.
- Pour l'unité sans redémarrage automatique, lorsque le courant est rétabli, le voyant OPERATION de l'unité intérieure clignote pendant 1 seconde. Pour redémarrer l'appareil, appuyez sur la touche MARCHE/ARRÊT de la télécommande. Pour l'unité avec fonction Redémarrage automatique, lorsque l'alimentation rétablit l'alimentation, l'unité redémarre automatiquement avec tous les réglages précédents préservés par la fonction mémoire.

<b>Problème</b>	Le voyant OPERATION (RUN) ou autres voyants continuent de clignoter.	L'appareil peut s'arrêter ou continuer à fonctionner en toute sécurité (selon les modèles). Attendez environ 10 minutes que la panne soit automatiquement récupérée, sinon, débranchez l'appareil et rebranchez-le. Si le problème persiste, débranchez l'appareil et contactez le service après-vente le plus proche.
	Si l'un des codes suivants s'affiche : <ul style="list-style-type: none"> <li>• E(x), P(x), F(x)</li> <li>• EH(xx), EL(xx), EC(xx)</li> <li>• PH(xx), PL(xx), PC(xx)</li> </ul>	
	Le fusible disjoncte fréquemment ou le disjoncteur se déclenche fréquemment.	Arrêtez immédiatement le climatiseur, débranchez-le et contactez le service après-vente le plus proche.
	D'autres objets ou de l'eau tombent dans le climatiseur.	
	Les mauvaises odeurs sont des odeurs nauséabondes ou anormales.	

<b>Dysfonctionnements</b>	<b>Cause</b>	<b>Que faire ?</b>
<b>L'appareil ne démarre pas</b>	Coupure de courant	Attendez le rétablissement de la puissance.
	L'appareil est peut-être débranché.	Vérifiez que la fiche est bien insérée dans le logement mural.
	Le fusible a grillé.	Remplacez le fusible.
	Les piles de la télécommande ont peut-être été utilisées.	Remplacez la batterie.
	La durée réglée avec le minuteur est incorrecte.	Attendez ou annulez le réglage du minuteur.
<b>L'appareil ne refroidit ou ne chauffe pas (modèles de refroidissement/ chauffage uniquement) très bien, tandis que l'air s'écoule du climatiseur</b>	Réglage de température inapproprié.	Réglez la température correctement. Pour une méthode détaillée, reportez-vous au chapitre « COMMENT UTILISER LA TÉLÉCOMMANDE ».
	Le filtre à air est obstrué.	Nettoyez le filtre à air.
	Les portes ou fenêtres sont ouvertes.	Fermez les portes ou les fenêtres.
	L'entrée ou la sortie d'air de l'unité intérieure ou extérieure a été bloquée.	Retirez tout d'abord les obstructions, puis redémarrez l'appareil.
	La protection de 3 minutes du compresseur a été activée.	Attendez

Si le problème n'a pas été résolu, veuillez contacter un revendeur local ou le service après-vente le plus proche. Assurez-vous de les informer des dysfonctionnements et du numéro de modèle de l'appareil. N'essayez pas de réparer l'appareil vous-même. Consultez toujours un prestataire de service agréé.

## 13. MISE AU REBUT CORRECTE DE CE PRODUIT



Ce marquage indique que ce produit ne doit pas être traité avec d'autres déchets ménagers dans l'ensemble de l'UE. Afin d'éviter tout risque pour l'environnement ou la santé humaine de l'élimination incontrôlée des déchets, recyclez-le de manière responsable pour promouvoir la réutilisation durable des ressources matérielles. Pour retourner votre appareil usagé, veuillez utiliser les systèmes de retour et de récupération ou contacter le revendeur où le produit a été acheté. Ils peuvent prendre ce produit pour le recyclage respectueux de l'environnement.



www.electrolux.com/shop



**10120a**

