

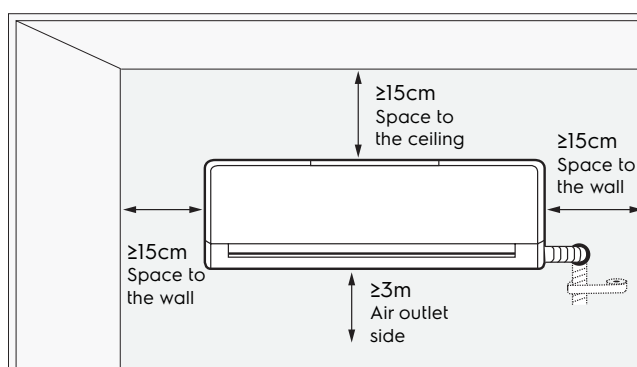
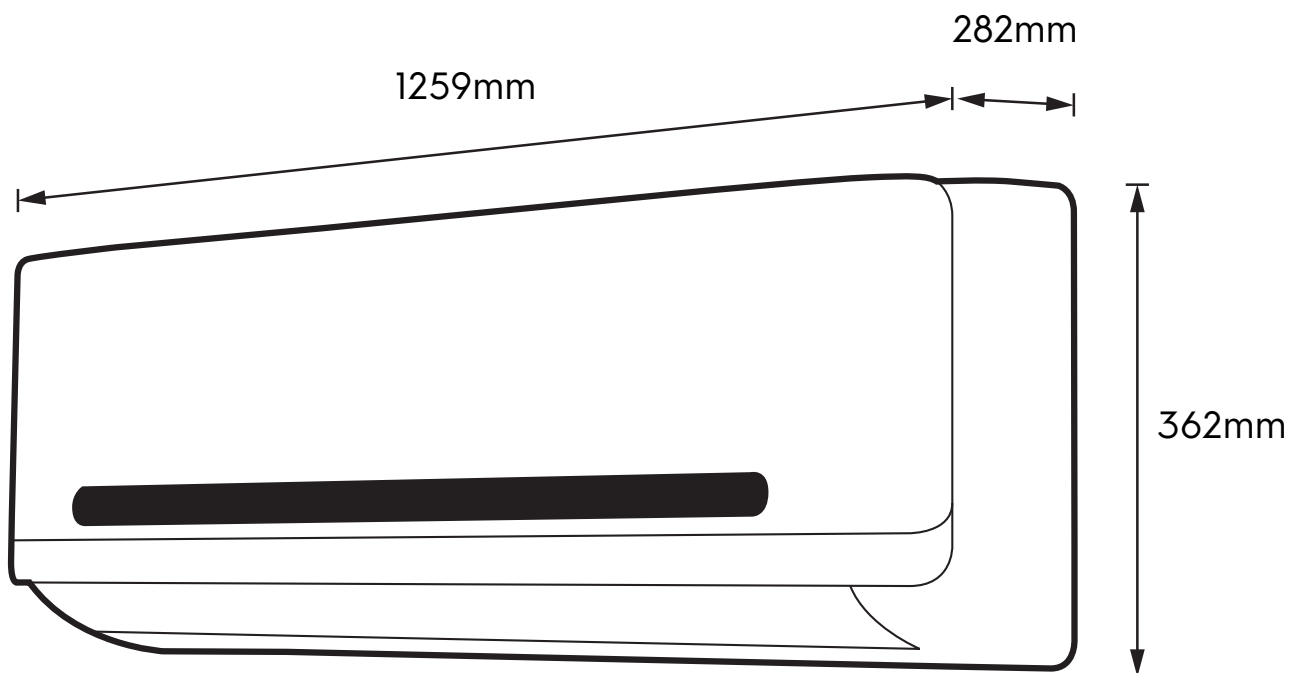
# Dimension Guide

## Air conditioner

**Model:**  
ESF303C1WAI

### Dimensions

|              | width | height | depth |
|--------------|-------|--------|-------|
| Product (mm) | 1259  | 362    | 282   |



**Please note!** Dimensions to be used as a guide only. All customers MUST refer to the user manual supplied with the product for detailed installation instructions.

© 2022 Electrolux S.E.A PTE. LTD. E\_DIM\_ESF303C1WAI\_Jan22