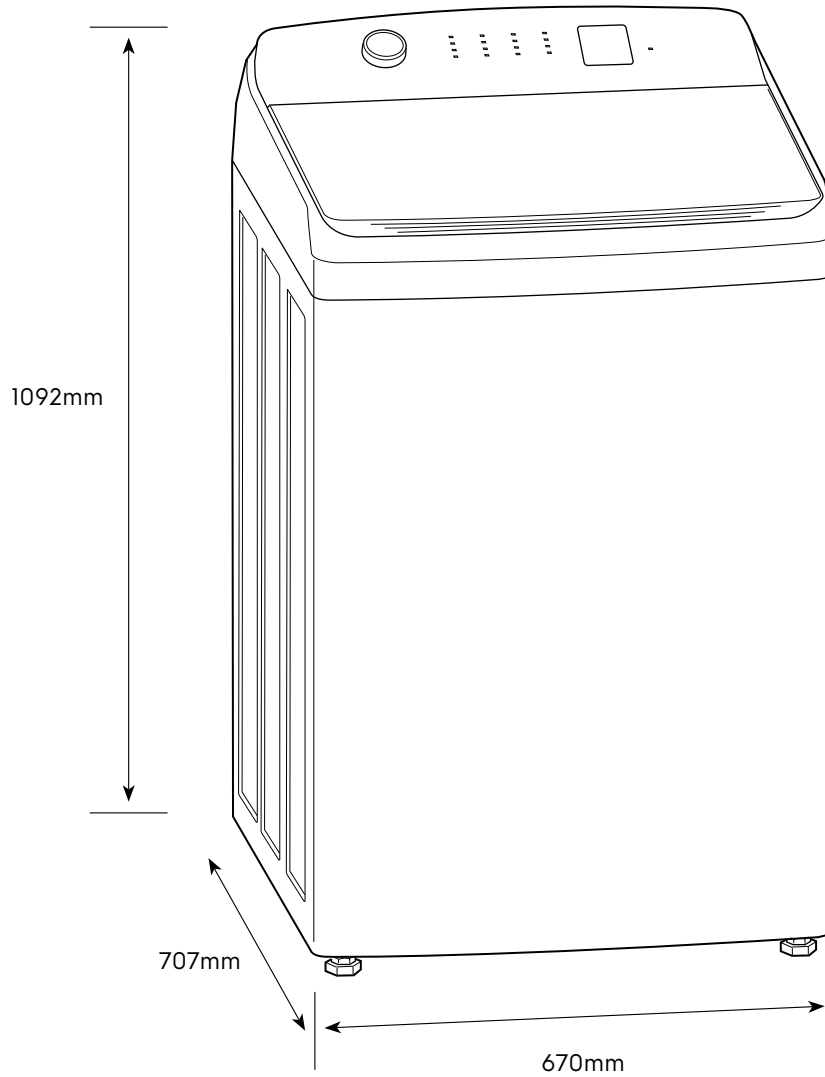


Dimension Guide

Top-load Washing Machine

Model:
EWT1174M7WA (ARABIC)

| Dimensions | | | |
|--------------|-------|--------|-------|
| | width | height | depth |
| Product (mm) | 670 | 1092 | 707 |



Please note! Dimensions to be used as a guide only. All customers MUST refer to the user manual supplied with the product for detailed installation instructions.
© 2022 Electrolux S.E.A PTE. LTD. E_DIM_EWT1174M7WA(ARABIC)_Jan22