



LRR63400CK

EN User Manual | **Hob**

2

FR Notice d'utilisation | **Table de cuisson**

15



Welcome to Electrolux! Thank you for choosing our appliance.



Get usage advice, brochures, troubleshooting, service and repair information:
www.electrolux.com/support

Subject to change without notice.

CONTENTS

1. SAFETY INFORMATION.....	2
2. SAFETY INSTRUCTIONS.....	4
3. INSTALLATION.....	6
4. PRODUCT DESCRIPTION.....	8
5. DAILY USE.....	9
6. HINTS AND TIPS.....	10
7. CARE AND CLEANING.....	11
8. TROUBLESHOOTING.....	11
9. TECHNICAL DATA.....	13
10. ENERGY EFFICIENCY.....	13
11. SAUDI ARABIA - CUSTOMER SERVICE	13
12. ENVIRONMENTAL CONCERNS.....	14

1. SAFETY INFORMATION

Before the installation and use of the appliance, carefully read the supplied instructions. The manufacturer is not responsible for any injuries or damage that are the result of incorrect installation or usage. Always keep the instructions in a safe and accessible location for future reference.

1.1 Children and vulnerable people safety

- This appliance can be used by children aged from 8 years and above and persons with reduced physical, sensory or mental capabilities or lack of experience and knowledge if they have been given supervision or instruction concerning the use of the appliance in a safe way and understand the hazards involved. Children of less than 8 years of age and persons with very extensive and complex disabilities shall be kept away from the appliance unless continuously supervised.

- Children should be supervised to ensure that they do not play with the appliance.
- Keep all packaging away from children and dispose of it appropriately.
- **WARNING:** The appliance and its accessible parts become hot during use. Keep children and pets away from the appliance when in use and when cooling down.
- If the appliance has a child safety device, it should be activated.
- Children shall not carry out cleaning and user maintenance of the appliance without supervision.

1.2 General Safety

- This appliance is for cooking purposes only.
- This appliance is designed for single household domestic use in an indoor environment.
- This appliance may be used in offices, hotel guest rooms, bed & breakfast guest rooms, farm guest houses and other similar accommodation where such use does not exceed (average) domestic usage levels.
- **WARNING:** The appliance and its accessible parts become hot during use. Care should be taken to avoid touching heating elements.
- **WARNING:** Unattended cooking on a hob with fat or oil can be dangerous and may result in fire.
- Smoke is an indication of overheating. Never use water to extinguish the cooking fire. Switch off the appliance and cover flames with e.g. a fire blanket or lid.
- **WARNING:** The appliance must not be supplied through an external switching device, such as a timer, or connected to a circuit that is regularly switched on and off by a utility.
- **CAUTION:** The cooking process has to be supervised. A short term cooking process has to be supervised continuously.
- **WARNING:** Danger of fire: Do not store items on the cooking surfaces.

- Metallic objects such as knives, forks, spoons and lids should not be placed on the hob surface since they can get hot.
- Do not use the appliance before installing it in the built-in structure.
- Do not use water spray and steam to clean the appliance.
- **WARNING:** If the surface is cracked, switch off the appliance to avoid the possibility of electric shock. In case the appliance is connected to the mains directly using junction box, remove the fuse to disconnect the appliance from power supply. In either case contact the Authorised Service Centre.
- If the supply cord is damaged, it must be replaced by the manufacturer, an authorized Service or similarly qualified persons in order to avoid a hazard.
- **WARNING:** Use only hob guards designed by the manufacturer of the cooking appliance or indicated by the manufacturer of the appliance in the instructions for use as suitable or hob guards incorporated in the appliance. The use of inappropriate guards can cause accidents.

2. SAFETY INSTRUCTIONS

2.1 Installation

 **WARNING!**

Only a qualified person must install this appliance.

 **WARNING!**

Risk of injury or damage to the appliance.

- Remove all the packaging.
- Do not install or use a damaged appliance.
- Follow the installation instructions supplied with the appliance.
- Keep the minimum distance from other appliances and units.
- Always take care when moving the appliance as it is heavy. Always use safety gloves and enclosed footwear.
- Seal the cut surfaces of the cabinet with a sealant to prevent moisture from causing swelling.
- Protect the bottom of the appliance from steam and moisture.
- Do not install the appliance next to a door or under a window. This prevents hot cookware from falling from the appliance when the door or the window is opened.
- If the appliance is installed above drawers make sure that the space, between the bottom of the appliance and the upper drawer is sufficient for air circulation.
- The bottom of the appliance can get hot. Make sure to install a separation panel made from plywood, kitchen carcass material or other non-flammable materials

under the appliance to prevent access to the bottom.

- The separation panel has to cover the area under the hob completely.

2.2 Electrical Connection

WARNING!

Risk of fire and electric shock.

- All electrical connections should be made by a qualified electrician.
- The appliance must be earthed.
- Before carrying out any operation make sure that the appliance is disconnected from the power supply.
- Make sure that the parameters on the rating plate are compatible with the electrical ratings of the mains power supply.
- Make sure the appliance is installed correctly. Loose and incorrect electricity mains cable or plug (if applicable) can make the terminal become too hot.
- Use the correct electricity mains cable.
- Do not let the electricity mains cable tangle.
- Make sure that a shock protection is installed.
- Use the strain relief clamp on the cable.
- Make sure the mains cable or plug (if applicable) does not touch the hot appliance or hot cookware, when you connect the appliance to a socket.
- Do not use multi-plug adapters and extension cables.
- Make sure not to cause damage to the mains plug (if applicable) or to the mains cable. Contact our Authorised Service Centre or an electrician to change a damaged mains cable.
- The shock protection of live and insulated parts must be fastened in such a way that it cannot be removed without tools.
- Connect the mains plug to the mains socket only at the end of the installation. Make sure that there is access to the mains plug after the installation.
- If the mains socket is loose, do not connect the mains plug.
- Do not pull the mains cable to disconnect the appliance. Always pull the mains plug.

- Use only correct isolation devices: line protecting cut-outs, fuses (screw type fuses removed from the holder), earth leakage trips and contactors.
- The electrical installation must have an isolation device which lets you disconnect the appliance from the mains at all poles. The isolation device must have a contact opening width of minimum 3 mm.

2.3 Use

WARNING!

Risk of injury, burns and electric shock.

- Do not change the specification of this appliance.
- Remove all the packaging, labelling and protective film (if applicable) before first use.
- Make sure that the ventilation openings are not blocked.
- Do not let the appliance stay unattended during operation.
- Set the cooking zone to “off” after each use.
- Do not put cutlery or saucepan lids on the cooking zones. They can become hot.
- Do not operate the appliance with wet hands or when it comes in contact with water.
- Do not use the appliance as work surface and do not place food in direct contact with it.
- Do not use the appliance as a direct cooking surface. Cooking must always be performed by using appropriate cookware.
- If the surface of the appliance is cracked, disconnect immediately the appliance from the power supply to prevent the electric shock.
- When you place food into hot oil, it may splash.
- Do not use aluminum foil or other materials between the cooking surface and the cookware, unless otherwise specified by the manufacturer of this appliance.
- Use only accessories recommended for this appliance by the manufacturer.

⚠ WARNING!

Risk of fire and explosion.

- Fats and oils when heated can release flammable vapours. Keep flames or heated objects away from fats and oils when you cook with them.
- The vapours that hot oil releases can cause spontaneous combustion.
- Used oil, that can contain food remnants, can cause fire at a lower temperature than oil used for the first time.
- Do not put flammable products or items moistened with flammable products in, near or on the appliance.

⚠ WARNING!

Risk of damage to the appliance.

- Do not keep hot cookware on the control panel to avoid the risk of burns.
- Do not put a hot pan cover on the glass surface of the hob.
- Do not let cookware boil dry.
- Be careful not to let objects or cookware fall on the appliance. The surface can be damaged.
- Do not activate the cooking zones with empty cookware or without cookware.
- Cookware made of cast iron, aluminium or with a damaged bottom can cause scratches on the glass / glass ceramic. Always lift these objects up when you have to move them on the cooking surface.

2.4 Care and cleaning

- Clean the appliance regularly to prevent the deterioration of the surface material.

- Switch off the appliance and let it cool down before cleaning.
- Clean the appliance with a moist soft cloth. Use only neutral detergents. Do not use abrasive products, abrasive cleaning pads, solvents or metal objects, unless otherwise specified.

2.5 Service

- To repair the appliance contact the Authorised Service Centre. Use original spare parts only.
- Concerning the lamp(s) inside this product and spare part lamps sold separately: These lamps are intended to withstand extreme physical conditions in household appliances, such as temperature, vibration, humidity, or are intended to signal information about the operational status of the appliance. They are not intended to be used in other applications and are not suitable for household room illumination.

2.6 Disposal

⚠ WARNING!

Risk of injury or suffocation.

- Contact your local authority for information on how to dispose of the appliance.
- Disconnect the appliance from the mains supply.
- Cut off the mains electrical cable close to the appliance and dispose of it.

3. INSTALLATION

⚠ WARNING!

Refer to Safety chapters.

3.1 Before the installation

Before you install the hob, write down the information below from the rating plate. The rating plate is on the bottom of the hob.

Serial number

3.2 Built-in hobs

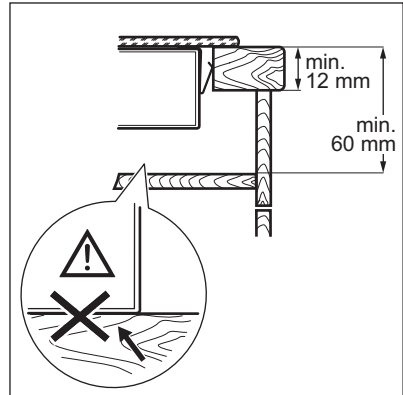
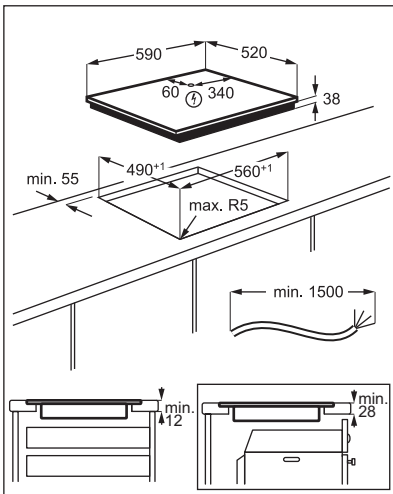
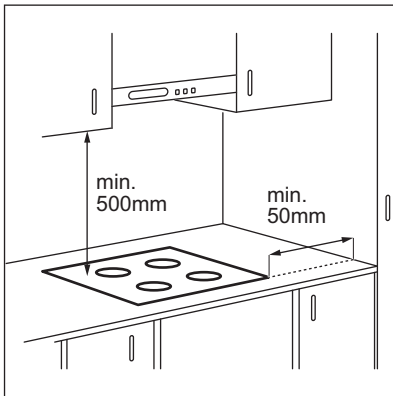
Only use the built-in hobs after you assemble the hob into correct built-in units and work surfaces that align to the standards.

3.3 Connection cable

- The hob is supplied with a connection cable.
- To replace the damaged mains cable, use the cable type: H05V2V2-F which withstands a temperature of 90 °C or higher. Contact an Authorised Service Centre. The connection cable may only be replaced by a qualified electrician.

3.4 Assembly

If you install the hob under a hood, please see the installation instructions of the hood for the minimum distance between the appliances.



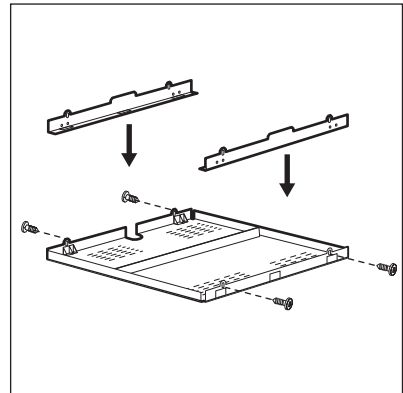
Find the video tutorial "How to install your Electrolux Radiant Hob - Worktop installation" by typing out the full name indicated in the graphic below.



How to install your Electrolux
Radiant Hob - Worktop installation



3.5 Protection box



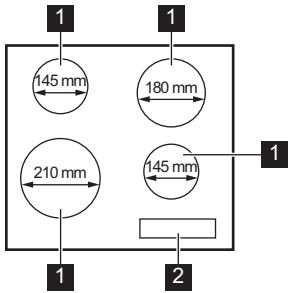
If you use a protection box (an additional accessory), the protective floor directly below the hob is not necessary. The protection box accessory may not be available in some countries. Contact Customer Support Service.



You cannot use the protection box if you install the hob above an oven.

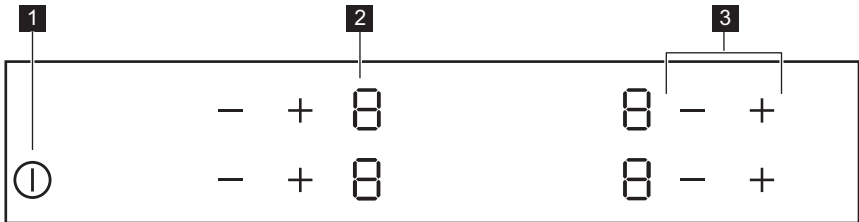
4. PRODUCT DESCRIPTION

4.1 Cooking surface layout



- 1 Cooking zone
- 2 Control panel

4.2 Control panel layout



Use the sensor fields to operate the appliance. The displays, indicators and sounds tell which functions operate.

Sensor field	Function	Comment
1 ①	On / Off	To activate and deactivate the hob.
2 -	Heat setting display	To show the heat setting.
3 + / -	-	To set a heat setting.

4.3 Heat setting displays

Display	Description
	The cooking zone is deactivated.
-	The cooking zone operates.
+ digit	There is a malfunction.
	A cooking zone is still hot (residual heat).
	Child Safety Device operates.
	Automatic Switch Off operates.

5. DAILY USE

WARNING!

Refer to Safety chapters.

5.1 Activating and deactivating

Touch for 1 second to activate or deactivate the hob.

5.2 Automatic Switch Off

The function deactivates the hob automatically if:

- all cooking zones are deactivated,
- you do not set the heat setting after you activate the hob,
- you spill something or put something on the control panel for more than 10 seconds (a pan, a cloth, etc.). An acoustic signal sounds and the hob deactivates. Remove the object or clean the control panel.
- you do not deactivate a cooking zone or change the heat setting. After some time comes on and the hob deactivates.

The relation between the heat setting and the time after which the hob deactivates:

Heat setting	The hob deactivates after
1 - 2	6 hours
3 - 4	5 hours

Heat setting	The hob deactivates after
5	4 hours
6 - 9	1.5 hour

5.3 The heat setting

Touch to increase the heat setting. Touch to decrease the heat setting. Touch and at the same time to deactivate the cooking zone.

5.4 Residual heat indicator

WARNING!

As long as the indicator is visible, there is a risk of burns from residual heat.

The indicator appears when a cooking zone is hot.





The indicator may also appear:



- for the neighbouring cooking zones even if you are not using them,
- when hot cookware is placed on cold cooking zone,
- when the hob is deactivated but the cooking zone is still hot.



The indicator disappears when the cooking zone has cooled down.





5.5 Child Safety Device

This function prevents an accidental operation of the hob.

To start the function: activate the hob with . Do not set any heat setting. Touch  of the two front cooking zones at the same time for 4 seconds.  comes on. Deactivate the hob with .

To stop the function: activate the hob with . Do not set any heat setting. Touch  of the two front cooking zones at the same time

for 4 seconds.  comes on. Deactivate the hob with .

To suspend the function for only one cooking session: activate the hob with .  comes on. Touch  of the two front cooking zones at the same time for 4 seconds. **Set the heat setting in 10 seconds.** You can operate the hob. When you deactivate the hob with  the function operates again.

6. HINTS AND TIPS

WARNING!

Refer to Safety chapters.

6.1 Cookware

- To prevent overheating and improve the performance of the zones, the cookware must be as thick and flat as possible.
- Ensure cookware bases are clean and dry before placing on the hob surface.
- Always be careful no to slide or rub the cookware on the edges and corners of the glass as it may chip or damage the glass surface.

Cookware made of enamelled steel and with aluminium or copper bottoms can cause a colour change on the glass-ceramic surface.

6.2 Simplified cooking guide

The data in the table is for guidance only.

Heat setting	Use to:	Time (min)	Hints
1	Keep cooked food warm.	as necessary	Put a lid on the cookware.
1 - 2	Hollandaise sauce; melt: butter, chocolate, gelatine.	5 - 25	Mix from time to time.
2	Solidify: fluffy omelettes, baked eggs.	10 - 40	Cook with a lid on.
2 - 3	Simmer rice and milk-based dishes, heat up ready-cooked meals.	25 - 50	Add at least twice as much liquid as rice, mix milk dishes halfway through the procedure.
3 - 4	Stew vegetables, fish, meat.	20 - 45	Add a few tablespoons of water. Check the water amount during the process.

Heat setting	Use to:	Time (min)	Hints
4 - 5	Steam potatoes and other vegetables.	20 - 60	Cover the bottom of the pot with 1-2 cm of water. Check the water level during the process. Keep the lid on the pot.
4 - 5	Cook larger quantities of food, stews and soups.	60 - 150	Up to 3 l of liquid plus ingredients.
6 - 7	Gentle fry: escalope, veal cordon bleu, cutlets, rissoles, sausages, liver, roux, eggs, pancakes, doughnuts.	as necessary	Turn over when needed.
7 - 8	Heavy fry, hash browns, loin steaks, steaks.	5 - 15	Turn over when needed.
9	Boil water, cook pasta, sear meat (goulash, pot roast), deep-fry chips.		

7. CARE AND CLEANING

WARNING!

Refer to Safety chapters.

7.1 General information

- Clean the hob after each use.
- Always use cookware with a clean base.
- Scratches or dark stains on the surface have no effect on how the hob operates.
- Use a special cleaning agent suitable for the surface of the hob.
- Always use a scraper recommended for hobs with a glass surface. Use the scraper only as an additional tool for cleaning the glass after the standard cleaning procedure.

WARNING!

Do not use knives or any other sharp, metal tools to clean the glass surface.

7.2 Cleaning the hob




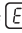

- **Remove immediately:** melted plastic, plastic foil, salt, sugar and food with sugar, otherwise, the dirt can cause damage to the hob. Take care to avoid burns. Use a special hob scraper on the glass surface at an acute angle and move the blade on the surface.
- **Remove when the hob is sufficiently cool:** limescale rings, water rings, fat stains, shiny metallic discoloration. Clean the hob with a moist cloth and a non-abrasive detergent. After cleaning, wipe the hob dry with a soft cloth.
- **Remove shiny metallic discoloration:** use a solution of water with vinegar and clean the glass surface with a cloth.

8. TROUBLESHOOTING

WARNING!

Refer to Safety chapters.

8.1 What to do if...

Problem	Possible cause	Remedy
You cannot activate or operate the hob.	The hob is not connected to an electrical supply or it is connected incorrectly.	Check if the hob is correctly connected to the electrical supply.
	The fuse is blown.	Make sure that the fuse is the cause of the malfunction. If the fuse is blown again and again, contact a qualified electrician.
	You did not set the heat setting for 10 seconds.	Activate the hob again and set the heat setting in less than 10 seconds.
	You touched 2 or more sensor fields at the same time.	Touch only one sensor field.
You can hear a constant beep noise.	There is water or fat stains on the control panel.	Clean the control panel.
	The electrical connection is incorrect.	Disconnect the hob from the electrical supply. Ask a qualified electrician to check the installation.
	An acoustic signal sounds and the hob deactivates. An acoustic signal sounds when the hob is deactivated.	Remove the object from the sensor fields.
	The hob deactivates.	You put something on the sensor field  .
Residual heat indicator does not come on.	The zone is not hot because it operated only for a short time or the sensor is damaged.	If the zone operated sufficiently long to be hot, speak to an Authorised Service Centre.
The control panel becomes hot to the touch.	The cookware is too large or you put it too close to the control panel.	Put large cookware on the rear zones, if possible.
 comes on.	Child Safety Device operates.	Refer to "Daily use".
 and a number come on.	There is an error in the hob.	Deactivate the hob and activate it again after 30 seconds. If  comes on again, disconnect the hob from the electrical supply. After 30 seconds, connect the hob again. If the problem continues, speak to an Authorised Service Centre.
 comes on.	The second phase of the power supply is missing.	Check if the hob is correctly connected to the electrical supply. Remove the fuse, wait one minute, and insert the fuse again.

8.2 If you cannot find a solution...

If you cannot find a solution to the problem yourself, contact your dealer or an Authorised Service Centre. Give the data from the rating plate. Give also three digit letter code for the

glass ceramic (it is in the corner of the glass surface) and an error message that comes on. Make sure, you operated the hob correctly. If not the servicing by a service technician or dealer will not be free of charge,

also during the warranty period. The information about guarantee period and

Authorised Service Centres are in the service book.

9. TECHNICAL DATA

9.1 Rating plate

Model LRR63400CK
Typ 60 HAD 54 AO

Ser.Nr.
ELECTROLUX

PNC 949 492 886 00
220 - 240 V, 50 - 60 Hz
Made in: Romania
6.5 kW



9.2 Cooking zones specification

Cooking zone	Nominal Power (Max heat setting) [W]	Cooking zone diameter [mm]
Left front	2300	210
Left rear	1200	145
Right front	1200	145
Right rear	1800	180

For optimal cooking results use cookware no larger than the diameter of the cooking zone.

10. ENERGY EFFICIENCY

10.1 Energy saving

You can save energy during everyday cooking if you follow the hints below.

- When you heat up water, use only the amount you need.
- If it is possible, always put the lids on the cookware.
- Before you activate the cooking zone put the cookware on it.

- The cookware bottom should have the same diameter as the cooking zone.
- Put the smaller cookware on the smaller cooking zones.
- Put the cookware directly in the centre of the cooking zone.
- Use the residual heat to keep the food warm or to melt it.

11. SAUDI ARABIA - CUSTOMER SERVICE

Further after-sales service agencies overseas

In these countries our respective agents' own guarantee conditions are applicable. Please obtain further details directly.

First Distribution Company (FDC) Al Faisaliah Group

Main service center address:

Al Khalidiya area – Port Street – Building name: Mussa 4

AL Dammam, Kingdom of Saudi Arabia.

Postal address:


P.O Box 2728 Riyadh 11461


Kingdom of Saudi Arabia

tel. + 966 11 243-9732

fax +966 11 243-9674

12. ENVIRONMENTAL CONCERNS

Recycle materials with the symbol . Put the packaging in relevant containers to recycle it. Help protect the environment and human health by recycling waste of electrical and electronic appliances. Do not dispose of

appliances marked with the symbol  with the household waste. Return the product to your local recycling facility or contact your municipal office.

Bienvenue chez Electrolux ! Nous vous remercions d'avoir choisi l'un de nos appareils.



Obtenir des conseils d'utilisation, des brochures, des dépannages, des informations sur le service et les réparations :
www.electrolux.com/support

Sous réserve de modifications.

TABLE DES MATIÈRES

1. INFORMATIONS DE SÉCURITÉ.....	15
2. CONSIGNES DE SÉCURITÉ.....	17
3. INSTALLATION.....	20
4. DESCRIPTION DU PRODUIT.....	22
5. UTILISATION QUOTIDIENNE.....	23
6. CONSEILS.....	24
7. ENTRETIEN ET NETTOYAGE.....	25
8. DÉPANNAGE.....	26
9. DONNÉES TECHNIQUES.....	27
10. EFFICACITÉ ÉNERGÉTIQUE.....	28
11. EN MATIÈRE DE PROTECTION DE L'ENVIRONNEMENT.....	28

1. ⚠ INFORMATIONS DE SÉCURITÉ

Avant d'installer et d'utiliser cet appareil, lisez soigneusement les instructions fournies. Le fabricant ne pourra être tenu pour responsable des blessures et dégâts résultant d'une mauvaise installation ou utilisation. Conservez toujours les instructions dans un lieu sûr et accessible pour vous y référer ultérieurement.

1.1 Sécurité des enfants et des personnes vulnérables

- Cet appareil peut être utilisé par des enfants âgés d'au moins 8 ans et par des personnes ayant des capacités physiques, sensorielles ou mentales réduites ou dénuées d'expérience ou de connaissance, s'ils sont correctement surveillés ou si des instructions relatives à l'utilisation de l'appareil en toute sécurité leur ont été données et s'ils comprennent les risques encourus. Les enfants de moins

de 8 ans et les personnes ayant un handicap très important et complexe doivent être tenus à l'écart de l'appareil, à moins d'être surveillés en permanence.

- Veillez à ce que les enfants ne jouent pas avec l'appareil.
- Ne laissez pas les emballages à la portée des enfants et jetez-les convenablement.
- **AVERTISSEMENT** : L'appareil et ses parties accessibles deviennent chauds pendant l'utilisation. Tenez les enfants et les animaux éloignés de l'appareil lorsqu'il est en cours d'utilisation et de refroidissement.
- Si l'appareil est équipé d'un dispositif de sécurité enfants, nous vous recommandons de l'activer.
- Le nettoyage et l'entretien par l'utilisateur ne doivent pas être effectués par des enfants sans surveillance.

1.2 Sécurité générale

- Cet appareil est exclusivement destiné à un usage culinaire.
- Cet appareil est conçu pour un usage domestique ménager, dans un environnement intérieur.
- Cet appareil peut être utilisé dans les bureaux, les chambres d'hôtel, les chambres d'hôtes, les gîtes ruraux et d'autres hébergements similaires lorsque cette utilisation ne dépasse pas le niveau (moyen) de l'utilisation domestique.
- **AVERTISSEMENT** : L'appareil et ses parties accessibles deviennent chauds pendant l'utilisation. Veillez à ne pas toucher les éléments chauffants.
- **AVERTISSEMENT** : Il peut être dangereux de laisser chauffer de la graisse ou de l'huile sans surveillance sur une table de cuisson car cela pourrait provoquer un incendie.
- La fumée est une indication de surchauffe. N'utilisez jamais d'eau pour éteindre le feu de cuisson. Éteignez l'appareil et couvrez les flammes, par exemple avec une couverture ignifuge ou un couvercle.

- **AVERTISSEMENT** : L'appareil ne doit pas être branché à l'alimentation en utilisant un appareil de connexion externe comme un minuteur, ou branché à un circuit qui est régulièrement activé/désactivé par un fournisseur d'énergie.
- **ATTENTION** : Le processus de cuisson doit être supervisé. Une cuisson courte doit être surveillée en permanence.
- **AVERTISSEMENT** : Risque d'incendie : N'entrez rien sur les surfaces de cuisson.
- Les objets métalliques tels que les couteaux, les fourchettes, les cuillères et les couvercles ne doivent pas être placés sur la surface de la table de cuisson car ils peuvent devenir chauds.
- N'utilisez pas l'appareil avant de l'avoir installé dans la structure encastrée.
- Ne pulvérisez pas d'eau ni de vapeur pour nettoyer l'appareil.
- **AVERTISSEMENT** : Si la surface est fissurée, éteignez l'appareil pour éviter tout risque de choc électrique. Si l'appareil est branché à l'alimentation secteur directement en utilisant une boîte de jonction, retirez le fusible pour déconnecter l'appareil de l'alimentation secteur. Dans tous les cas, veuillez contacter le service après-vente agréé.
- Si le câble d'alimentation est endommagé, il doit être remplacé par le fabricant, un service après-vente agréé ou un professionnel qualifié afin d'éviter tout danger.
- **AVERTISSEMENT** : Utilisez uniquement les dispositifs de protection pour table de cuisson conçus ou indiqués comme adaptés par le fabricant de l'appareil de cuisson dans les instructions d'utilisation, ou les dispositifs de protection pour table de cuisson intégrés à l'appareil. L'utilisation de dispositifs de protection non adaptés peut entraîner des accidents.

2. CONSIGNES DE SÉCURITÉ

2.1 Installation

AVERTISSEMENT!

L'appareil doit être installé uniquement par un professionnel qualifié.

AVERTISSEMENT!

Risque de blessure ou de dommages matériels.

- Retirez l'intégralité de l'emballage.
- N'installez pas et ne branchez pas un appareil endommagé.
- Suivez scrupuleusement les instructions d'installation fournies avec l'appareil.
- Respectez l'espacement minimal requis par rapport aux autres appareils et éléments.
- Soyez toujours vigilants lorsque vous déplacez l'appareil car il est lourd. Utilisez toujours des gants de sécurité et des chaussures fermées.
- Isolez les surfaces découpées du meuble à l'aide d'un matériau d'étanchéité pour éviter que la moisissure cause des gonflements.
- Protégez la partie inférieure de l'appareil de la vapeur et de l'humidité.
- N'installez pas l'appareil à proximité d'une porte ou sous une fenêtre. Les récipients chauds risqueraient de tomber de l'appareil lors de l'ouverture de celles-ci.
- Si l'appareil est installé au-dessus de tiroirs, assurez-vous qu'il y a suffisamment d'espace entre le fond de l'appareil et le tiroir supérieur pour que l'air puisse circuler.
- Le dessous de l'appareil peut devenir très chaud. Veillez à installer un panneau de séparation sous l'appareil pour en bloquer l'accès. Ce panneau peut être en contreplaqué, provenir d'un autre meuble de cuisine, et doit être composé d'un matériau non inflammable.
- Le panneau de séparation doit couvrir entièrement l'espace sous la table de cuisson.

2.2 Branchement électrique

AVERTISSEMENT!

Risque d'incendie ou d'électrocution.

- Tous les raccordements électriques doivent être effectués par un électricien qualifié
- L'appareil doit être raccordé à la terre.
- Avant toute intervention, assurez-vous que l'appareil est débranché.
- Assurez-vous que les paramètres figurant sur la plaque signalétique correspondent aux données électriques nominale de l'alimentation secteur.
- Vérifiez que l'appareil est correctement installé. Des câbles ou des fiches secteur desserrés et incorrects (le cas échéant) peuvent faire surchauffer la borne.
- Utilisez le câble d'alimentation électrique approprié.
- Ne laissez pas le câble d'alimentation électrique s'emmêler.
- Assurez-vous qu'une protection contre les chocs est installée.
- Installé le collier anti-traction sur le câble.
- Assurez-vous que le câble d'alimentation ou la fiche (si présente) n'entrent pas en contact avec les surfaces brûlantes de l'appareil ou les récipients brûlants lorsque vous branchez l'appareil à une prise électrique.
- N'utilisez pas d'adaptateurs multiprise et de rallonges.
- Veillez à ne pas endommager la fiche secteur (le cas échéant) ni le câble d'alimentation. Contactez notre service après-vente agréé ou un électricien pour remplacer le câble d'alimentation s'il est endommagé.
- La protection contre les chocs des parties sous tension et isolées doit être fixée de telle manière qu'elle ne puisse pas être enlevée sans outils.
- Ne branchez la fiche secteur dans la prise secteur qu'à la fin de l'installation. Assurez-vous que la prise secteur est accessible après l'installation.
- Si la prise secteur est détachée, ne branchez pas la fiche secteur.
- Ne tirez pas sur le câble secteur pour débrancher l'appareil. Tirez toujours sur la fiche de la prise secteur.

- N'utilisez que des systèmes d'isolation appropriés : des coupe-circuits, des fusibles (les fusibles à visser doivent être retirés du support), un disjoncteur différentiel et des contacteurs.
- L'installation électrique doit comporter un dispositif d'isolation qui vous permet de déconnecter l'appareil du secteur à tous les pôles. Le dispositif d'isolement doit avoir une largeur d'ouverture de contact de 3 mm minimum.

2.3 Utilisation

AVERTISSEMENT!

Risque de blessures, de brûlures ou d'électrocution.

- Ne modifiez pas les spécifications de cet appareil.
- Retirez les emballages, les étiquettes et les films de protection (le cas échéant) avant la première utilisation.
- Assurez-vous que les orifices d'aération ne sont pas obstrués.
- Ne laissez pas l'appareil sans surveillance durant son fonctionnement.
- Mettez à l'arrêt les zones de cuisson après chaque utilisation.
- Ne posez pas de couverts ou de couvercles de casseroles sur les zones de cuisson. Ils peuvent devenir très chauds.
- N'utilisez pas l'appareil avec des mains mouillées ou en contact avec de l'eau.
- N'utilisez pas l'appareil comme surface de travail et ne mettez pas d'aliments en contact direct avec celui-ci.
- n'utilisez pas l'appareil comme surface de cuisson directe. La cuisson doit toujours être effectuée à l'aide d'un récipient approprié.
- Si la surface de l'appareil est fissurée, débranchez-le immédiatement, afin d'éliminer tout risque d'électrocution.
- Lorsque vous placez des aliments dans de l'huile chaude, cela peut éclabousser.
- N'utilisez pas de feuille d'aluminium ou d'autres matériaux entre la surface de cuisson et le récipient, sauf indication contraire du fabricant de cet appareil.
- N'utilisez que les accessoires recommandés pour cet appareil par le fabricant.

AVERTISSEMENT!

Risque d'incendie et d'explosion.

- Les graisses et les huiles lorsqu'elles sont chauffées peuvent dégager des vapeurs inflammables. Tenez les flammes ou les objets chauds à distance des graisses et des huiles pendant que vous cuisinez.
- Les vapeurs que dégagent l'huile chaude peuvent provoquer une combustion spontanée.
- Une huile déjà utilisée peut contenir des restes d'aliments et provoquer un incendie à une température plus basse qu'avec une huile neuve.
- Ne placez pas de produits inflammables ou d'éléments imbibés de produits inflammables à l'intérieur, à proximité ou au-dessus de l'appareil.

AVERTISSEMENT!

Risque de dommages à l'appareil.

- Ne laissez pas de récipients chauds sur le bandeau de commande pour éviter tout risque de brûlure.
- Ne posez pas de couvercle de casserole chaud sur la surface en verre de la table de cuisson.
- Ne laissez pas le contenu des récipients s'évaporer entièrement.
- Prenez soin de ne pas laisser tomber d'objets ou de récipients sur l'appareil. La surface risque d'être endommagée.
- N'activez pas les zones de cuisson avec un récipient vide ou sans récipient.
- Les récipients de cuisson en fonte, en aluminium ou dont le fond est endommagé peuvent provoquer des rayures sur la surface en verre et vitrocéramique. Soulevez toujours ces objets lorsque vous devez les déplacer sur la surface de cuisson.

2.4 Entretien et nettoyage

- Nettoyez régulièrement l'appareil afin de maintenir le revêtement en bon état.
- Mettez à l'arrêt l'appareil et laissez-le refroidir avant de le nettoyer.
- Nettoyez l'appareil avec de et un chiffon doux et humide. Utilisez uniquement des produits de lavage neutres. N'utilisez pas

de produits abrasifs, de tampons à récuser, de solvants ou d'objets métalliques, sauf indication contraire.

2.5 Service

- Pour réparer l'appareil, contactez le service après-vente agréé. Utilisez uniquement des pièces de rechange d'origine.
- Concernant la/les lampe(s) à l'intérieur de ce produit et les lampes de rechange vendues séparément : Ces lampes sont conçues pour résister à des conditions physiques extrêmes dans les appareils électroménagers, telles que la température, les vibrations, l'humidité, ou sont conçues pour signaler des

informations sur le statut opérationnel de l'appareil. Elles ne sont pas destinées à être utilisées dans d'autres applications et ne conviennent pas à l'éclairage des pièces d'un logement.

2.6 Mise au rebut

⚠ AVERTISSEMENT!

Risque de blessure ou d'asphyxie.

- Contactez votre service municipal pour savoir comment mettre l'appareil au rebut.
- Débranchez l'appareil.
- Coupez le câble d'alimentation au ras de l'appareil et mettez-le au rebut.

3. INSTALLATION

⚠ AVERTISSEMENT!

Reportez-vous aux chapitres concernant la sécurité.

3.1 Avant l'installation

Avant d'installer la table de cuisson, notez les informations de la plaque signalétique ci-dessous. La plaque signalétique se trouve au bas de la table de cuisson.

Numéro de série

3.2 Tables de cuisson intégrées

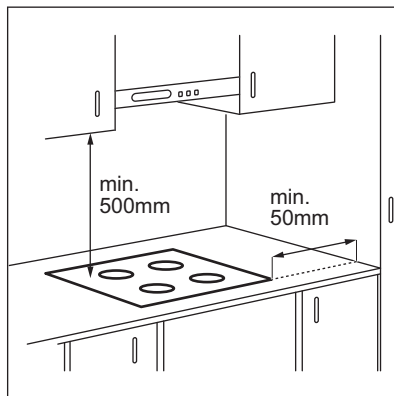
Les tables de cuisson encastrables ne peuvent être mises en fonctionnement qu'après avoir été installées dans des meubles et sur des plans de travail homologués et adaptés.

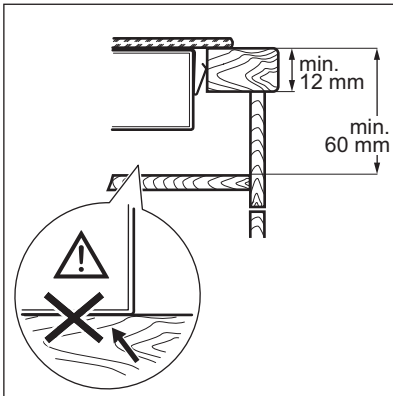
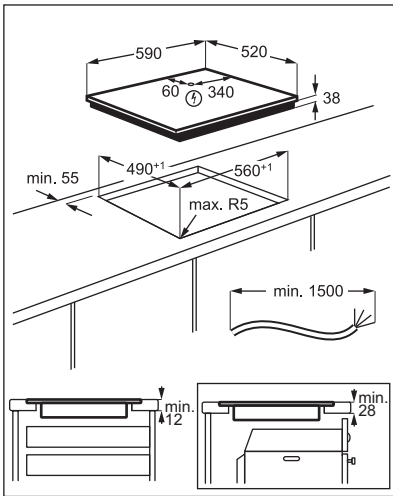
3.3 Câble de connexion

- La table de cuisson est fournie avec un câble d'alimentation.
- Pour remplacer le câble d'alimentation endommagé, utilisez le type de câble suivant : H05V2V2-F qui supporte une température minimale de 90 °C. Contactez un service après-vente agréé. Le câble de raccordement ne peut être remplacé que par un électricien qualifié.

3.4 Assemblage

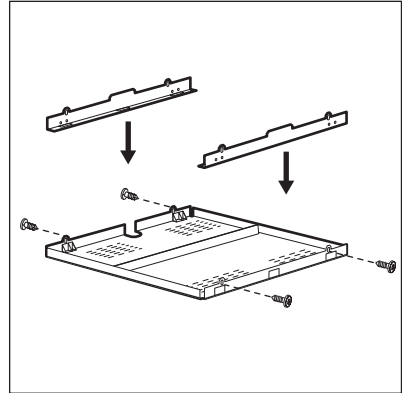
Si vous installez la table de cuisson sous une hotte, reportez-vous aux instructions d'installation de la hotte pour connaître la distance minimale entre les appareils.





Consultez le tutoriel vidéo « Comment installer votre table de cuisson radiante Electrolux - Installation du plan de travail » en tapant le nom complet indiqué dans le graphique ci-dessous.

3.5 Enceinte de protection



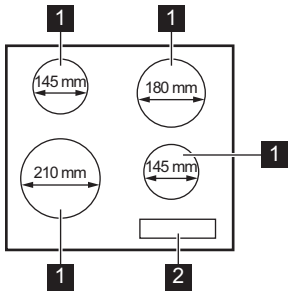
Si vous utilisez une enceinte de protection (accessoire supplémentaire), le fond de protection installé directement sous la table de cuisson n'est pas nécessaire. L'accessoire enceinte de protection peut ne pas être disponible dans certains pays. Contactez le service Consommateurs.



Vous ne pouvez pas utiliser l'enceinte de protection si vous installez la table de cuisson au-dessus d'un four.

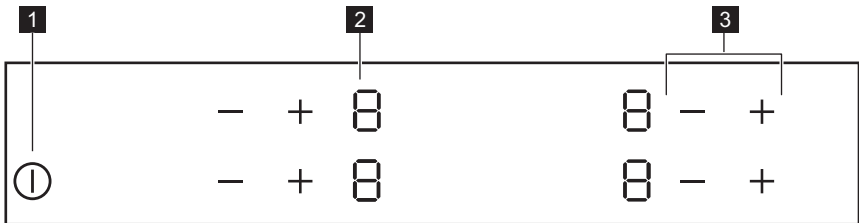
4. DESCRIPTION DU PRODUIT

4.1 Agencement des zones de cuisson



- 1 Zone de cuisson
- 2 Bandeau de commande

4.2 Configuration du bandeau de commande



Les touches sensibles permettent de faire fonctionner l'appareil. Les affichages, les voyants et les signaux sonores indiquent les fonctions activées.

Touche sensible	Fonction	Commentaire
1 (I)	En fonctionnement/A l'arrêt	Pour allumer et éteindre la table de cuisson.
2 -	Indicateur du niveau de cuisson	Pour indiquer le niveau de cuisson.
3 + / -	-	Pour sélectionner un niveau de cuisson.

4.3 Affichage du niveau de cuisson

Afficheur	Description
0	La zone de cuisson est désactivée.
1 - 9	La zone de cuisson est activée.

Afficheur	Description
+ chiffre	Une anomalie de fonctionnement s'est produite.
	Une zone de cuisson est encore chaude (chaleur résiduelle).
	Dispositif de sécurité enfant est activée.
	Arrêt automatique est activé.

5. UTILISATION QUOTIDIENNE

AVERTISSEMENT!

Reportez-vous aux chapitres concernant la sécurité.

5.1 Activation et désactivation

Appuyez sur pendant 1 seconde pour activer ou désactiver la table de cuisson.

5.2 Arrêt automatique

Cette fonction arrête la table de cuisson automatiquement si :

- toutes les zones de cuisson sont désactivées,
- vous ne réglez pas le niveau de cuisson après avoir allumé la table de cuisson,
- vous avez renversé quelque chose ou placé un objet sur le bandeau de commande pendant plus de 10 secondes (une casserole, un torchon, etc.). Un signal sonore retentit et la table de cuisson s'éteint. Enlevez l'objet ou nettoyez le bandeau de commande.
- vous ne désactivez pas la zone de cuisson ou ne modifiez pas le niveau de cuisson. Au bout de quelques instants, s'allume et la table de cuisson s'éteint.

La relation entre le niveau de cuisson et la durée après laquelle la table de cuisson s'éteint :

Niveau de cuisson	La table de cuisson s'éteint au bout de
1 - 2	6 heures
3 - 4	5 heures

Niveau de cuisson	La table de cuisson s'éteint au bout de
5	4 heures
6 - 9	1,5 heure

5.3 Niveau de cuisson

Appuyez sur pour augmenter le niveau de cuisson. Appuyez sur pour diminuer le niveau de cuisson. Appuyez simultanément sur et pour désactiver la zone de cuisson.

5.4 Indicateur de chaleur résiduelle

AVERTISSEMENT!

Tant que le voyant est allumé, il existe un risque de brûlures dues à la chaleur résiduelle.

L'indicateur s'allume lorsqu'une zone de cuisson est chaude.


L'indicateur peut également s'allumer :


- pour les zones de cuisson voisines, même si vous ne les utilisez pas,
- lorsque des récipients chauds sont placés sur la zone de cuisson froide,
- lorsque la table de cuisson est éteinte mais que la zone de cuisson est encore chaude.



L'indicateur s'éteint lorsque la zone de cuisson s'est refroidie.


5.5 Dispositif de sécurité enfant

Cette fonction permet d'éviter une utilisation involontaire de la table de cuisson.

Pour lancer la fonction : allumez la table de cuisson en appuyant sur . Ne sélectionnez pas de réglage de niveau de cuisson.



Appuyez simultanément sur  des deux zones de cuisson avant pendant 4 secondes.





 s'allume. Éteignez la table de cuisson en appuyant sur .

Pour arrêter la fonction : allumez la table de cuisson en appuyant sur . Ne sélectionnez pas de réglage de niveau de cuisson.

Appuyez simultanément sur  des deux

zones de cuisson avant pendant 4 secondes.

 s'allume. Éteignez la table de cuisson en appuyant sur .

Pour suspendre la fonction le temps d'une cuisson : allumez la table de cuisson en appuyant sur .  s'allume. Appuyez simultanément sur  des deux zones de cuisson avant pendant 4 secondes. **Réglez le niveau de cuisson dans les 10 secondes qui suivent.** Vous pouvez utiliser la table de cuisson. Lorsque vous éteignez la table de cuisson avec , la fonction est de nouveau activée.

6. CONSEILS



AVERTISSEMENT!

Reportez-vous aux chapitres concernant la sécurité.

6.1 Récipients de cuisson

- Pour éviter la surchauffe et améliorer les performances des zones, le récipient doit être aussi épais et plat que possible.
- Assurez-vous que le dessous des récipients est propre et sec avant de le placer sur la surface de la table de cuisson.
- Veillez toujours à ne pas faire glisser ni frotter le récipient sur les bords et les

coins du verre, car cela pourrait écailler ou endommager la surface du verre.



Les récipients de cuisson avec un fond en émail, en aluminium ou en cuivre peuvent laisser des traces sur la surface vitrocéramique.

6.2 Guide de cuisson simplifié



Les données du tableau sont fournies à titre indicatif uniquement.

Réglages de la température	Utilisez pour :	Durée (min)	Conseils
1	Gardez au chaud les aliments cuits.	si nécessaire	Placez un couvercle sur le récipient.
1 - 2	Sauce hollandaise ; faire fondre : beurre, chocolat, gélatine.	5 - 25	Mélangez de temps en temps.
2	Solidifier : omelettes, œufs cocotte.	10 - 40	Cuisez avec un couvercle.
2 - 3	Faire mijoter des plats à base de riz et de laitage, réchauffer des plats cuisinés.	25 - 50	Ajoutez au moins deux fois plus d'eau que de riz. Remuez les plats à base de lait durant la cuisson.

Réglages de la température	Utilisez pour :	Durée (min)	Conseils
3 - 4	Cuisez les légumes, le poisson et la viande à la vapeur.	20 - 45	Ajouter quelques cuillères à soupe d'eau. Vérifiez la quantité d'eau pendant le processus.
4 - 5	Pommes de terre à la vapeur et autres légumes.	20 - 60	Couvrez le fond de la cuve avec 1 à 2 cm d'eau. Vérifiez le niveau d'eau pendant le processus. Gardez le couvercle sur la cuve.
4 - 5	Cuisez de plus grandes quantités d'aliments, des ragoûts et des soupes.	60 - 150	Ajoutez jusqu'à 3 l de liquide et des ingrédients.
6 - 7	Faire revenir : escalopes, cordons bleus de veau, côtelettes, rissolettes, saucisses, foie, roux, œufs, crêpes, beignets.	si nécessaire	Retournez-le si nécessaire.
7 - 8	Friture, galettes de pommes de terre, biftecks, steaks.	5 - 15	Retournez-le si nécessaire.
9	Faire bouillir de l'eau, cuire des pâtes, saisir de la viande (goulasch, bœuf braisé), cuire des frites.		

7. ENTRETIEN ET NETTOYAGE

AVERTISSEMENT!

Reportez-vous aux chapitres concernant la sécurité.

7.1 Informations générales

- Nettoyez la table de cuisson après chaque utilisation.
- Utilisez toujours un récipient dont le fond est propre.
- Les rayures ou les taches sombres sur la surface n'ont aucune incidence sur le fonctionnement de la table de cuisson.
- Utilisez un produit de nettoyage spécialement adapté à la surface de la table de cuisson.
- Utilisez toujours un grattoir recommandé pour les tables de cuisson avec une surface en verre. Utilisez le grattoir uniquement comme outil supplémentaire pour nettoyer le verre après la procédure de nettoyage standard.

AVERTISSEMENT!

N'utilisez pas de couteaux ou d'autres outils métalliques tranchants pour nettoyer la surface en verre.

7.2 Nettoyage de la table de cuisson



- **Enlevez immédiatement** : le plastique fondu, les feuilles de plastique, le sel, le sucre et les aliments contenant du sucre, car la saleté peut endommager la table de cuisson. Veillez à ne pas vous brûler. Tenez le racloir spécial incliné sur la surface vitrée et faites glisser la lame du racloir pour enlever les salissures.
- **Enlevez lorsque la table a suffisamment refroidi** : traces de calcaire, traces d'eau, taches de graisse, décoloration métallique brillante. Nettoyez la table de cuisson à l'aide d'un chiffon humide et d'un détergent non abrasif. Après le nettoyage, essuyez la table de cuisson avec un chiffon doux.
- **Pour retirer les décolorations métalliques brillantes** : utilisez une solution d'eau additionnée de vinaigre et nettoyez la surface vitrée avec un chiffon.




8. DÉPANNAGE

AVERTISSEMENT!

Reportez-vous aux chapitres concernant la sécurité.

8.1 Que faire si...

Problème	Cause possible	Solution
Vous ne pouvez pas activer la table de cuisson ni la faire fonctionner.	La table de cuisson n'est pas branchée à une source d'alimentation électrique ou le branchement est incorrect.	Vérifiez que la table de cuisson est correctement branchée à une source d'alimentation électrique.
	Le fusible a disjoncté.	Assurez-vous que le fusible est la cause du dysfonctionnement. Si les fusibles disjonctent de manière répétée, faites appel à un électricien qualifié.
	Vous n'avez pas réglé le niveau de cuisson dans les 10 secondes.	Mettez de nouveau en fonctionnement la table de cuisson et réglez le niveau de cuisson en moins de 10 secondes.
	Vous avez appuyé sur 2 ou plusieurs touches sensibles en même temps.	Appuyez sur une seule touche sensible.
Un bip constant se déclenche.	Il y a de l'eau ou des taches de graisse sur le bandeau de commande.	Nettoyez le bandeau de commande.
	Le branchement électrique est incorrect.	Débranchez l'appareil de l'alimentation électrique. Demandez à un électricien qualifié de vérifier l'installation.
Un signal sonore retentit et la table de cuisson se met à l'arrêt. Un signal sonore retentit lorsque la table de cuisson est à l'arrêt.	Vous avez posé quelque chose sur une ou plusieurs touches sensibles.	Retirez l'objet des touches sensibles.
La table de cuisson se met à l'arrêt.	Vous avez posé quelque chose sur la touche sensible  .	Retirez l'objet de la touche sensible.
Le voyant de chaleur résiduelle ne s'allume pas.	La zone de cuisson n'est pas chaude parce qu'elle n'a fonctionné que peu de temps ou le capteur est endommagé.	Si la zone a eu assez de temps pour chauffer, faites appel à un service après-vente agréé.
Le bandeau de commande devient chaud au toucher.	L'ustensile est trop grand ou vous le placez trop près du bandeau de commande.	Placez les récipients de grande taille sur les zones de cuisson arrière, si possible.
 s'affiche.	Dispositif de sécurité enfant est activé.	Reportez-vous au chapitre « Utilisation quotidienne ».

Problème	Cause possible	Solution
 et un chiffre s'affichent.	Une erreur s'est produite dans la table de cuisson.	Mettez à l'arrêt la table de cuisson et mettez-la de nouveau en fonctionnement au bout de 30 secondes. Si  s'affiche à nouveau, débranchez la table de cuisson de la prise électrique. Au bout de 30 secondes, rebranchez la table de cuisson. Si le problème persiste, contactez le service après-vente agréé.
 s'affiche.	Il manque la seconde phase de l'alimentation électrique.	Vérifiez que la table de cuisson est correctement branchée à une source d'alimentation électrique. Retirez le fusible, attendez une minute, et remplacez le fusible.

8.2 Si vous ne trouvez pas de solution...

Si vous ne trouvez pas de solution au problème, veuillez contacter votre revendeur ou un service après-vente agréé. Vous devez fournir les données figurant sur la plaque signalétique. Vous devez fournir également un code à 3 lettres pour la vitrocéramique (situé dans le coin de la surface en verre) et

le message d'erreur qui s'affiche. Assurez-vous d'utiliser correctement la table de cuisson. Si l'intervention d'un technicien ou d'un vendeur n'est pas gratuite, malgré la période de garantie en cours. Les informations concernant la période de garantie et les centres de service après-vente agréés figurent dans le manuel d'entretien.

9. DONNÉES TECHNIQUES

9.1 Plaque signalétique

Modèle LRR63400CK:
Type 60 HAD 54 AO

Numéro de série.....
ELECTROLUX

PNC 949 492 886 00
220 - 240 V, 50 à 60 Hz
Fabriqué en : Roumanie
6.5 kW



9.2 Caractéristiques des zones de cuisson

Zone de cuisson	Puissance nominale (niveau de cuisson maximale) [W]	Diamètre de la zone de cuisson [mm]
Avant gauche	2300	210
Arrière gauche	1200	145
Avant droite	1200	145
Arrière droite	1800	180

Pour des résultats de cuisson optimaux, utilisez des récipients qui ne dépassent pas le diamètre de la zone de cuisson.

10. EFFICACITÉ ÉNERGÉTIQUE


10.1 Économie d'énergie


Vous pouvez économiser de l'énergie pendant la cuisson quotidienne si vous suivez les conseils ci-dessous.

- Lorsque vous faites chauffer de l'eau, n'utilisez que la quantité dont vous avez besoin.
- Dans la mesure du possible, placez toujours les couvercles sur les récipients de cuisson.

- Posez les récipients sur la zone de cuisson avant de l'activer.
- Le fond du récipient doit avoir le même diamètre que la zone de cuisson.
- Placez les petits récipients sur les zones de cuisson les plus petites.
- Placez les récipients directement au centre de la zone de cuisson.
- Utilisez la chaleur résiduelle pour garder les aliments au chaud ou pour les faire fondre.

11. EN MATIÈRE DE PROTECTION DE L'ENVIRONNEMENT

Recyclez les matériaux portant le symbole . Déposez les emballages dans les conteneurs prévus à cet effet. Contribuez à la protection de l'environnement et à votre sécurité, recyclez vos produits électriques et électroniques. Ne jetez pas les appareils

portant le symbole  avec les ordures ménagères. Emmenez un tel produit dans votre centre local de recyclage ou contactez vos services municipaux.

FR Concerne la France uniquement :



FR
Cet appareil, ses accessoires et cordons se recyclent

REPRISE À LA LIVRAISON

À DÉPOSER EN MAGASIN

À DÉPOSER EN DÉCHÈTERIE

OU

OU

Points de collecte sur www.quefairedemesdechets.fr
Privilégiez la réparation ou le don de votre appareil !









electrolux.com

701136370-A-232025



CE