



Electrolux



electrolux.com/register



EN User Manual | **Freezer**

LUN7ND18R9



Welcome to Electrolux! Thank you for choosing our appliance.



Get usage advice, brochures, troubleshooting, service and repair information:
www.electrolux.com/support

Subject to change without notice.

CONTENTS

1. SAFETY INFORMATION.....	2
2. SAFETY INSTRUCTIONS.....	4
3. INSTALLATION.....	6
4. CONTROL PANEL.....	8
5. DAILY USE.....	11
6. HINTS AND TIPS.....	12
7. CARE AND CLEANING.....	14
8. TROUBLESHOOTING.....	15
9. NOISES.....	17
10. TECHNICAL DATA.....	17
11. INFORMATION FOR TEST INSTITUTES.....	17
12. ENVIRONMENTAL CONCERNS.....	18

1. ⚠ SAFETY INFORMATION

Before the installation and use of the appliance, carefully read the supplied instructions. The manufacturer is not responsible for any injuries or damage that are the result of incorrect installation or usage. Always keep the instructions in a safe and accessible location for future reference.

1.1 Children and vulnerable people safety

- This appliance can be used by children aged from 8 years and above and persons with reduced physical, sensory or mental capabilities or lack of experience and knowledge if they have been given supervision or instruction concerning the use of the appliance in a safe way and understand the hazards involved. Children aged from 3 to 8 years and persons with very extensive and complex disabilities are allowed to load and unload the appliance provided that they have been properly instructed. Children of less than 3 years

of age should be kept away from the appliance unless continuously supervised.

- Children should be supervised to ensure that they do not play with the appliance.
- Children shall not carry out cleaning and user maintenance of the appliance without supervision.
- Keep all packaging away from children and dispose of it appropriately.

1.2 General Safety

- This appliance is for storing food and beverages only.
- This appliance is designed for single household domestic use in an indoor environment.
- This appliance may be used in, offices, hotel guest rooms, bed & breakfast guest rooms, farm guest houses and other similar accommodation where such use does not exceed (average) domestic usage levels.
- To avoid contamination of food respect the following instructions:
 - do not open the door for long periods;
 - clean regularly surfaces that can come in contact with food and accessible drainage systems;
- **WARNING:** Keep ventilation openings, in the appliance enclosure or in the built-in structure, clear of obstruction.
- **WARNING:** Do not use mechanical devices or other means to accelerate the defrosting process, other than those recommended by the manufacturer.
- **WARNING:** Do not damage the refrigerant circuit.
- **WARNING:** Do not use electrical appliances inside the food storage compartments of the appliance, unless they are of the type recommended by the manufacturer.
- Do not use water spray and steam to clean the appliance.
- Clean the appliance with a moist soft cloth. Only use neutral detergents. Do not use abrasive products, abrasive cleaning pads, solvents or metal objects.

- When the appliance is empty for long period, switch it off, defrost, clean, dry and leave the door open to prevent mould from developing within the appliance.
- Do not store explosive substances such as aerosol cans with a flammable propellant in this appliance.
- If the supply cord is damaged, it must be replaced by the manufacturer, its Authorised Service Centre or similarly qualified persons in order to avoid a hazard.

2. SAFETY INSTRUCTIONS

2.1 Installation

WARNING!

Only a qualified person must install this appliance.

- Remove all the packaging.
- Do not install or use a damaged appliance.
- Do not use the appliance before installing it in the built-in structure due to safety manner.
- Follow the installation instructions supplied with the appliance.
- Always take care when moving the appliance as it is heavy. Always use safety gloves and enclosed footwear.
- Make sure the air can circulate around the appliance.
- At first installation or after reversing the door wait at least 4 hours before connecting the appliance to the power supply. This is to allow the oil to flow back in the compressor.
- Before carrying out any operations on the appliance (e.g. reversing the door), remove the plug from the power socket.
- Do not install the appliance close to radiators or cookers, ovens, or hobs, unless otherwise specified in the installation instructions.
- Do not expose the appliance to the rain.
- Do not install the appliance where there is direct sunlight.
- Do not install this appliance in areas that are too humid or too cold.

- When you move the appliance, lift it by the front edge to avoid scratching the floor.
- The appliance contains a bag of desiccant. This is not a toy. This is not food. Please dispose of it immediately.

2.2 Electrical connection

WARNING!

Risk of fire and electric shock.

WARNING!

When positioning the appliance, ensure the supply cord is not trapped or damaged.

WARNING!

Do not use multi-plug adapters and extension cables.

- The appliance must be earthed.
- Make sure that the parameters on the rating plate are compatible with the electrical ratings of the mains power supply.
- Always use a correctly installed shockproof socket.
- Make sure not to cause damage to the electrical components (e.g. mains plug, mains cable, compressor). Contact the Authorised Service Centre or an electrician to change the electrical components.
- The mains cable must stay below the level of the mains plug.

- Connect the mains plug to the mains socket only at the end of the installation. Make sure that there is access to the mains plug after the installation.
- Do not pull the mains cable to disconnect the appliance. Always pull the mains plug.

2.3 Use

WARNING!

Risk of injury, burns, electric shock or fire.



The appliance contains flammable gas, isobutane (R600a), a natural gas with a high level of environmental compatibility. Be careful not to cause damage to the refrigerant circuit containing isobutane.

- Do not change the specification of this appliance.
- Any use of the built-in product as free-standing is strictly prohibited.
- Do not put electrical appliances (e.g. ice cream makers) in the appliance unless they are stated applicable by the manufacturer.
- If damage occurs to the refrigerant circuit, make sure that there are no flames and sources of ignition in the room. Ventilate the room.
- Do not let hot items to touch the plastic parts of the appliance.
- Do not put soft drinks in the freezer compartment. This will create pressure on the drink container.
- Do not store flammable gas and liquid in the appliance.
- Do not put flammable products or items that are wet with flammable products in, near or on the appliance.
- Do not touch the compressor or the condenser. They are hot.
- Do not remove or touch items from the freezer compartment if your hands are wet or damp.
- Do not freeze again food that has been thawed.
- Follow the storage instructions on the packaging of frozen food.

- Wrap the food in any food contact material before putting it in the freezer compartment.
- Do not allow food to come in contact with the inner walls of the appliance compartments.

2.4 Care and cleaning

WARNING!

Risk of injury or damage to the appliance.

- Before maintenance, deactivate the appliance and disconnect the mains plug from the mains socket.
- This appliance contains hydrocarbons in the cooling unit. Only a qualified person must do the maintenance and the recharging of the unit.

2.5 Service

- To repair the appliance contact the Authorised Service Centre. Use only original spare parts.
- Please note that self-repair or non-professional repair can have safety consequences and might void the guarantee.

2.6 Disposal

WARNING!

Risk of injury or suffocation.

- Disconnect the appliance from the mains supply.
- Cut off the mains cable and discard it.
- Remove the door to prevent children and pets to be closed inside of the appliance.
- The refrigerant circuit and the insulation materials of this appliance are ozone-friendly.
- The insulation foam contains flammable gas. Contact your municipal authority for information on how to discard the appliance correctly.
- Do not cause damage to the part of the cooling unit that is near the heat exchanger.

3. INSTALLATION

⚠ WARNING!

Refer to Safety chapters.

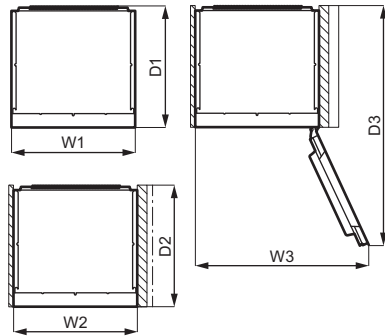
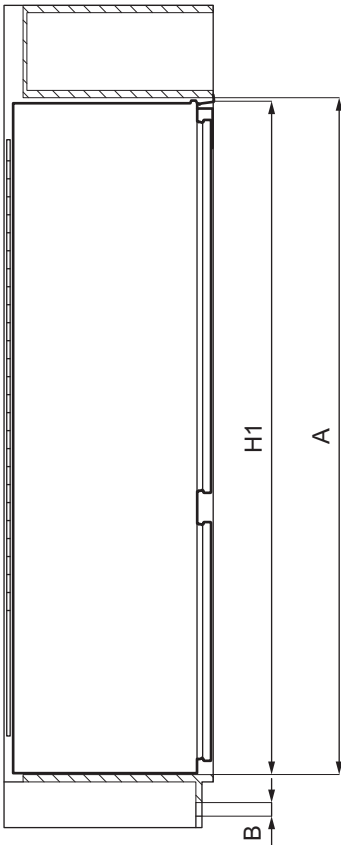
⚠ WARNING!

Refer to installation instruction document to install your appliance.

⚠ WARNING!

Fix the appliance in accordance with installation instruction document to avoid a risk of instability of the appliance.

3.1 Dimensions



Overall dimensions ¹		
H1	mm	1769
W1	mm	557
D1	mm	549

¹ the height, width and depth of the appliance without the handle

Space required in use ²		
H2 (A+B)	mm	1816
W2	mm	560
D2	mm	551
A	mm	1780
B	mm	36

² the height, width and depth of the appliance including the handle, plus the space necessary for free circulation of the cooling air

Overall space required in use ³		
H3 (A+B)	mm	1816
W3	mm	779
D3	mm	1085

³ the height, width and depth of the appliance including the handle, plus the space necessary for free circulation of the cooling air, plus the space necessary to allow door opening to the minimum angle permitting removal of all internal equipment

3.2 Location

To ensure appliance's best functionality, you should not install the appliance in a place with direct sunlight. Do not install the appliance close to radiators or cookers, ovens, or hobs, unless otherwise specified in the installation instructions.

Make sure that air can circulate freely around the back of the cabinet.

This appliance should be installed in a dry, well ventilated indoor position.

This appliance is intended to be used at ambient temperature ranging from 10°C to 43°C.



The correct operation of the appliance can only be guaranteed within the specified temperature range.



If you have any doubts regarding where to install the appliance, please turn to the vendor, to our customer service or to the nearest Authorised Service Centre.



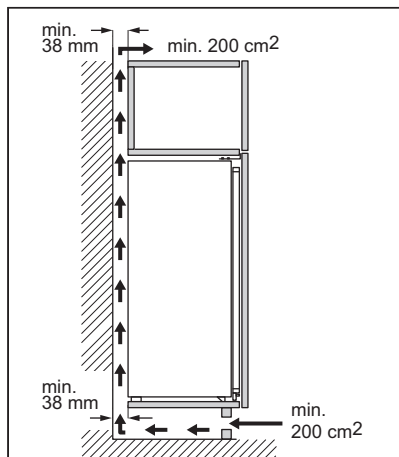
It must be possible to disconnect the appliance from the mains power supply. The plug must therefore be easily accessible after installation.

3.3 Electrical connection

- Before plugging in, ensure that the voltage and frequency shown on the rating plate correspond to your domestic power supply.
- The appliance must be earthed. The power supply cable plug is provided with a contact for this purpose. If the domestic power supply socket is not earthed, connect the appliance to a separate earth in compliance with current regulations, consulting a qualified electrician.
- The manufacturer declines all responsibility if the above safety precautions are not observed.

3.4 Ventilation requirements

The airflow behind the appliance must be sufficient.



⚠ CAUTION!

Refer to the installation instructions for the installation.

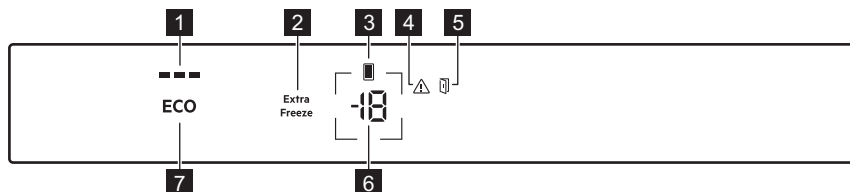
3.5 Door reversibility

Please refer to the separate document with instructions on installation and door reversal.

⚠ CAUTION!

At every stage of reversing the door protect the floor from scratching with a durable material.

4. CONTROL PANEL



- 1 ECOMETER indicator
- 2 Extra Freeze button / indicator
- 3 Freezer compartment indicator
- 4 Alarm indicator
- 5 Door open alarm indicator
- 6 Freezer temperature button / indicator
- 7 ECO button

4.1 Switching on

Connect the mains plug to the power socket.

To select a different set temperature, refer to "Temperature regulation".

If **dE on** appears on the display, refer to "Troubleshooting".

4.2 Switching off

1. Press and hold the freezer temperature button for 5 seconds.

The display shows blinking **dE**.

2. Once the appliance is switched off, the display reads **dE**.
3. Disconnect the mains plug from the power socket.

4.3 Temperature regulation

The temperature range may vary between -15°C and -24°C for freezer.

Press the freezer temperature button to set the temperature of the appliance.

The recommended set temperature is:

- -18°C for the freezer
- You may set the recommended temperature manually with temperature buttons or by switching on the ECO function. Refer to "ECO function" for more information

The temperature indicators show the set temperature.



The set temperature will be reached within 24 hours.
After a power failure, the appliance goes back to the set temperature.

4.4 ECO function

The ECO function sets the optimal freezer temperature to ensure food preservation while minimizing energy consumption.

1. To activate the function press the ECO button.

The freezer temperature is set to -18°C.

2. To deactivate the function, press the ECO button again or select a different set temperature (refer to "Temperature regulation").

After deactivating the ECO function, the freezer temperature is set to -20°C.



Activation of the ECO deactivates Extra Freeze function.



The ECOMETER indicator shows the appliance's current energy consumption. Three fully lit bars indicate the most energy-efficient setup.

4.5 Extra Freeze function

Extra Freeze function is used to pre-freeze and fast freeze in sequence in the freezer compartment. This function accelerates the freezing of fresh food and, at the same time, protects foodstuffs already stored from undesirable warming.



To freeze fresh food, activate the Extra Freeze function at least 24 hours before placing the food to complete pre-freezing.

To activate this function, press the Extra Freeze button.

The Extra Freeze indicator lights up. The Extra Freeze function stops automatically after a maximum of 52 hours.

Press the Extra Freeze button to deactivate the Extra Freeze function before it automatically ends.

4.6 High temperature alarm

When the temperature in the freezer compartment increases (for example due to an earlier power failure), the alarm indicator flashes, the freezer temperature indicator shows H° and blinks and the sound is on. To deactivate the alarm, press any button.

The alarm indicator and sound go off. The freezer temperature indicator shows H° for 5 seconds before indicating the freezer temperature again.



The alarm restarts one hour after deactivation until the normal conditions are restored.

If you do not press any button, the sound switches off automatically after around one hour to avoid disturbing.

4.7 Door open alarm

If the freezer door is left open for approximately 80 seconds, the sound is on and the door open alarm indicator turns on.

The alarm stops after closing the door. Press any button to switch off the sound.



If you do not press any button, the sound switches off automatically after around one hour to avoid disturbing.

4.8 Setting mode

The Setting mode allows you to:

- Enable or disable the ECOMETER indicator
- Enable or disable the button sounds
- Change the temperature units from °C to °F
- Enable or disable the Rest mode
- Enable or disable the Sabbath mode
- Reset the appliance to factory settings

Activating the Setting mode

To activate the Setting mode:

1. Press and hold the ECO button for approximately 3 seconds. When the Setting mode is being activated, the display alternately shows a blinking SE and EE.
2. Once the Setting mode is switched on, the display alternately shows PE and On.

To deactivate the Setting mode, press and hold the ECO button for approximately 3 seconds.

The Setting mode deactivates automatically if you do not interact with the control panel for 60 seconds.

Navigating the Setting mode

1. Activate the Setting mode (refer to "Activating the Setting mode").
The display alternately shows PE and On.
2. Tap the temperature button to change the parameter.
Tap the Extra Freeze button to change the parameter value.

Display	Default parameters
PE On	ECOMETER indicator
ES On	Button sounds
CF °C	Temperature units
Sb OF	Sabbath mode
r-n oF	Rest mode
F5 03	Factory settings

ECOMETER indicator

In order to switch the ECOMETER on or off:

1. Activate the Setting mode (refer to "Activating the Setting mode").
The display alternately shows PE and On.
2. Tap the Extra Freeze button repeatedly to switch ECOMETER indicator off or on.

The indicator will alternately show PE and either On for the enabled or OF for the disabled ECOMETER indicator.

3. Press and hold the ECO button for approximately 3 seconds to exit the Setting mode.

Button sounds

You can enable or disable the button sounds in the Setting mode. To enable or disable the sounds:

1. Activate the Setting mode (refer to "Activating the Setting mode").
The display alternately shows PE and On.
2. Tap the temperature indicator repeatedly until you see ES. Tap the Extra Freeze button repeatedly to switch the sounds either on or off. The display alternately shows ES and On for the enabled or OF for the disabled sounds.
3. Press and hold the ECO button for approximately 3 seconds to exit the Setting mode.

Temperature units

Using the Setting mode, you can change the temperature unit displayed on the control panel from Celsius to Fahrenheit. To change the temperature unit:

1. Activate the Setting mode (refer to "Activating the Setting mode").
The display alternately shows PE and On.
2. Tap the temperature indicator repeatedly until you see CF. Tap the Extra Freeze button repeatedly to select between °C for Celsius and OF for Fahrenheit.
3. Press and hold the ECO button for approximately 3 seconds to exit the Setting mode.

Rest mode

The Rest mode ensures food preservation while minimizing energy consumption during periods when the appliance is not used for a long time.

To switch on the Rest mode:

1. Activate the Setting mode (refer to "Activating the Setting mode").
The display alternately shows **PE** and **On**.
2. Tap the temperature indicator repeatedly until you see **r n**. Tap the Extra Freeze button repeatedly to switch the Rest mode either on or off. The display alternately shows **r n** and **On** for the enabled or **o F** for the disabled Rest mode.
3. Press and hold the ECO button for approximately 3 seconds to exit the Setting mode.

The Rest mode activates after 3 days without interaction with the appliance.

The Rest mode deactivates automatically after any interaction with the appliance.

The Rest mode remains active once the power is restored after a power failure.

Sabbath mode

Sabbath mode disables some of the appliance's features in accordance with the weekly Sabbath and other religious holidays.

In this mode:

- all buttons are locked apart from the button combination necessary to deactivate the mode
- sound is muted, except for the audible High temperature alarm
- the display shows no alarm indicators, except for the High temperature alarm

To switch on the Sabbath mode:

1. Activate the Setting mode (refer to "Activating the Setting mode").
The display alternately shows **PE** and **On**.

2. Tap the temperature indicator repeatedly until you see **Sb**. Tap the Extra Freeze button repeatedly to switch the Sabbath mode either on or off. The display alternately shows **Sb** and **On** for the enabled or **o F** for the disabled Sabbath mode.
3. Press and hold the ECO button for approximately 3 seconds to exit the Setting mode.

After switching on the Sabbath mode, the display shows ECO indicator and **Sb**. Accessing any other setting is blocked.

Press and hold the ECO button for approximately 3 seconds to switch off the Sabbath mode.

Factory settings

This function restores each setting to the factory default settings. To restore the factory default settings:

1. Activate the Setting mode (refer to "Activating the Setting mode").
The display alternately shows **PE** and **On**.
2. Tap the temperature button until you see **F5**. Tap the Extra Freeze button repeatedly until you see **On**.
On turns into blinking **F5** and then into **03**, which indicates that factory settings are restored.
3. Press and hold the ECO button for approximately 3 seconds to exit the Setting mode.

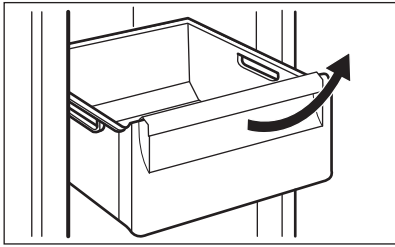
5. DAILY USE

5.1 Removing drawers

To remove a drawer from a compartment:

1. Pull the drawer out until it stops.

2. Once you reach the end of the runners, lift slightly the front of the drawer and remove it from the appliance.



To put the drawer into a compartment, follow the above steps in reverse order.

5.2 Freezing fresh food

The freezer compartment is suitable for freezing fresh food and storing frozen and deep-frozen food for a long time.

To freeze fresh food activate the Extra Freeze function at least 24 hours before placing the food to be frozen in the freezer compartment.

Store the fresh food evenly distributed in the first and second compartment or drawer from the top.

The maximum amount of food that can be frozen without adding other fresh food during 24 hours is specified on the rating plate (a label located inside the appliance).

When the freezing process is complete, the appliance automatically returns to the previous temperature setting (see "Extra Freeze function").

For more information refer to "Hints for freezing".

5.3 Storage of frozen food

When activating an appliance for the first time or after a period out of use, before putting the products in the compartment let the appliance run at least 3 hours with the Extra Freeze function switched on.

The freezer drawers ensure that it is quick and easy to find the food package you want.

If large quantities of food are to be stored, remove all drawers and place the food on shelves.

Keep the food no closer than 15 mm from the door.

⚠ CAUTION!

In the event of accidental defrosting, for example due to a power failure, if the power has been off for longer than the value shown on rating plate under "rising time", the defrosted food must be consumed quickly or cooked immediately then cooled and then re-frozen. Refer to "High temperature alarm".

5.4 Thawing

Deep-frozen or frozen food, prior to being consumed, can be thawed in the refrigerator or inside a plastic bag under cold water.

This operation depends on the time available and on the type of food. Small pieces may even be cooked still frozen.

6. HINTS AND TIPS

6.1 Hints for energy saving

- The internal configuration of the appliance is the one that ensures the most efficient use of energy.
- Do not open the door frequently or leave it open longer than necessary.
- The colder the temperature setting, the higher the energy consumption.
- Ensure a good ventilation. Do not cover the ventilation grilles or holes.

- Make sure that food products inside the appliance allow air circulation through dedicated holes in the rear interior of the appliance.

6.2 Hints for freezing

- Activate Extra Freeze function at least 24 hours before placing the food inside the freezer compartment.
- Before freezing wrap and seal fresh food in: aluminium foil, plastic film or bags, airtight containers with lid.

- For more efficient freezing and thawing divide food into small portions.
- It is recommended to put labels and dates on all your frozen food. This will help to identify foods and to know when they should be used before their deterioration.
- The food should be fresh when being frozen to preserve good quality. Especially fruits and vegetables should be frozen after the harvest to preserve all of their nutrients.
- Do not freeze bottles or cans with liquids, in particular drinks containing carbon dioxide - they may explode during freezing.
- Do not put hot food in the freezer compartment. Cool it down at room temperature before placing it inside the compartment.
- To avoid increase in temperature of already frozen food, do not place fresh unfrozen food directly next to it. Place food at room temperature in the part of the freezer compartment where there is no frozen food.
- Do not eat ice cubes, water ices or ice lollies immediately after taking them out of the freezer. Risk of frostbites.
- Do not re-freeze defrosted food. If the food has defrosted, cook it, cool it down and then freeze it.

6.3 Hints for storage of frozen food

- Freezer compartment is the one marked with ❄️ ❄️❄️.

6.5 Shelf life

Type of food	Shelf life (months)
Bread	3
Fruits (except citrus)	6 - 12
Vegetables	8 - 10
Leftovers without meat	1 - 2
Dairy food:	
Butter	6 - 9
Soft cheese (e.g. mozzarella)	3 - 4
Hard cheese (e.g. parmesan, cheddar)	6

- Good temperature setting that ensures preservation of frozen food products is a temperature less than or equal to -18°C. Higher temperature setting inside the appliance may lead to shorter shelf life.
- The whole freezer compartment is suitable for storage of frozen food products.
- Leave enough space around the food to allow air to circulate freely.
- For adequate storage refer to food packaging label to see the shelf life of food.
- It is important to wrap the food in such a way that prevents water, humidity or condensation from getting inside.

6.4 Shopping tips

After grocery shopping:

- Ensure that the packaging is not damaged - the food could be deteriorated. If the package is swollen or wet, it might have not been stored in the optimal conditions and defrosting may have already started.
- To limit the defrosting process buy frozen goods at the end of your grocery shopping and transport them in a thermal and insulated cool bag.
- Place the frozen foods immediately in the freezer after coming back from the shop.
- If food has defrosted even partially, do not re-freeze it. Consume it as soon as possible.
- Respect the expiry date and the storage information on the package.

Type of food	Shelf life (months)
Seafood:	
Fatty fish (e.g. salmon, mackerel)	2 - 3
Lean fish (e.g. cod, flounder)	4 - 6
Shrimps	12
Shucked clams and mussels	3 - 4
Cooked fish	1 - 2
Meat:	
Poultry	9 - 12
Beef	6 - 12
Lamb	6 - 9
Sausage	1 - 2
Leftovers with meat	2 - 3

7. CARE AND CLEANING

WARNING!

Refer to Safety chapters.

7.1 Cleaning the interior

Before using the appliance for the first time, the interior and all internal accessories should be washed with lukewarm water and some neutral soap to remove the typical smell of a brand-new product, then dried thoroughly.

CAUTION!

Do not use detergents, abrasive powders, chlorine or oil-based cleaners as they will damage the finish.

CAUTION!

The accessories and parts of the appliance are not suitable for washing in a dishwasher.

CAUTION!

Clean the control panel with a moist cloth. Do not use any detergents. After cleaning, wipe the control panel dry with a soft cloth.

7.2 Periodic cleaning

The equipment has to be cleaned regularly:

1. Clean the inside and accessories with lukewarm water and some neutral soap.
2. Regularly check the door seals and wipe them clean to ensure they are clean and free from debris.
3. Rinse and dry thoroughly.

7.3 Defrosting of the freezer

The freezer compartment is frost free. This means that there is no build up of frost when it is in operation, neither on the internal walls, nor on the foods.

7.4 Period of non-operation

When the appliance is not in use for long period, take the following precautions:

1. Disconnect the appliance from electricity supply.
2. Remove all food.
3. Clean the appliance and all accessories.
4. Leave the door open to prevent unpleasant smells.

8. TROUBLESHOOTING

WARNING!

Refer to Safety chapters.

8.1 What to do if...

Problem	Possible cause	Solution
The appliance does not operate.	The appliance is switched off.	Switch on the appliance.
	The mains plug is not connected to the mains socket correctly.	Connect the mains plug to the mains socket correctly.
	There is no voltage in the mains socket.	Connect a different electrical appliance to the mains socket. Contact a qualified electrician.
The appliance is noisy.	The appliance is not supported properly.	Check if the appliance stands stable.
Acoustic or visual alarm is on.	The cabinet has been recently switched on.	Refer to "High temperature alarm" or "Door open alarm".
	The temperature in the appliance is too high.	Refer to "High temperature alarm" or "Door open alarm".
	The door is left open.	Close the door.
The compressor operates continually.	Temperature is set incorrectly.	Refer to "Control panel" chapter.
	Too much food is put in at the same time.	Wait a few hours and then check the temperature again.
	The room temperature is too high.	Refer to "Installation" chapter.
	Food placed in the appliance is too warm.	Allow food to cool to room temperature before storing.
	The door is not closed correctly.	Refer to "Closing the door" section.
	The Extra Freeze function is switched on.	Refer to "Extra Freeze function" section.
The compressor does not start immediately after pressing the "Extra Freeze", or after changing the temperature.	The compressor starts after a period of time.	This is normal, no error has occurred.
Door is misaligned or interferes with ventilation grill.	The appliance is not levelled.	Refer to installation instructions.
Door does not open easily.	You attempted to re-open the door immediately after closing.	Wait a few seconds between closing and re-opening of the door.
There is too much frost and ice.	The door is not closed correctly.	Refer to "Closing the door" section.
	The gasket is deformed or dirty.	Refer to "Closing the door" section.
	Food is not wrapped properly.	Wrap the food properly.

Problem	Possible cause	Solution
	Temperature is set incorrectly.	Refer to "Control panel" chapter.
	Appliance is fully loaded and is set to the lowest temperature.	Set a higher temperature. Refer to "Control panel" chapter.
	Temperature set in the appliance is too low and the ambient temperature is too high.	Set a higher temperature. Refer to "Control panel" chapter.
Water flows on the floor.	The melting water outlet is not connected to the evaporative tray above the compressor.	Attach the melting water outlet to the evaporative tray.
Temperature cannot be set.	The Extra Freeze function is switched on.	Switch off Extra Freeze function manually, or wait until it deactivates automatically. Refer to "Extra Freeze function" section.
The temperature in the appliance is too low/too high.	The temperature is not set correctly.	Set a higher/lower temperature.
	The door is not closed correctly.	Refer to the "Closing the door" section.
	The food is too hot.	Let the food cool down before storage.
	Too much food is stored at the same time.	Store less food at the same time.
	The door has been opened often.	Open the door only if necessary.
	The Extra Freeze function is switched on.	Refer to the "Extra Freeze function" section.
	There is no cold air circulation in the appliance.	Ensure cold air circulation in the appliance. Refer to the "Hints and tips" chapter.
dE on appears on the display.	The appliance is in the demo mode.	Press and hold the Extra Freeze and ECO buttons for approx. 10 sec until you hear 3 short beeps.
Er CE appears and the alarm indicator is on.	Communication problem.	Contact the Authorised Service Centre. The cooling system will continue to keep food cold, but temperature adjustment will not be possible.
Er E1 or Er E3 or Er E5 and the current setting appear alternately for 5 sec and the alarm indicator is on.	Temperature sensor problem.	Contact the Authorised Service Centre. The cooling system will continue to keep food cold, but temperature adjustment will not be possible.



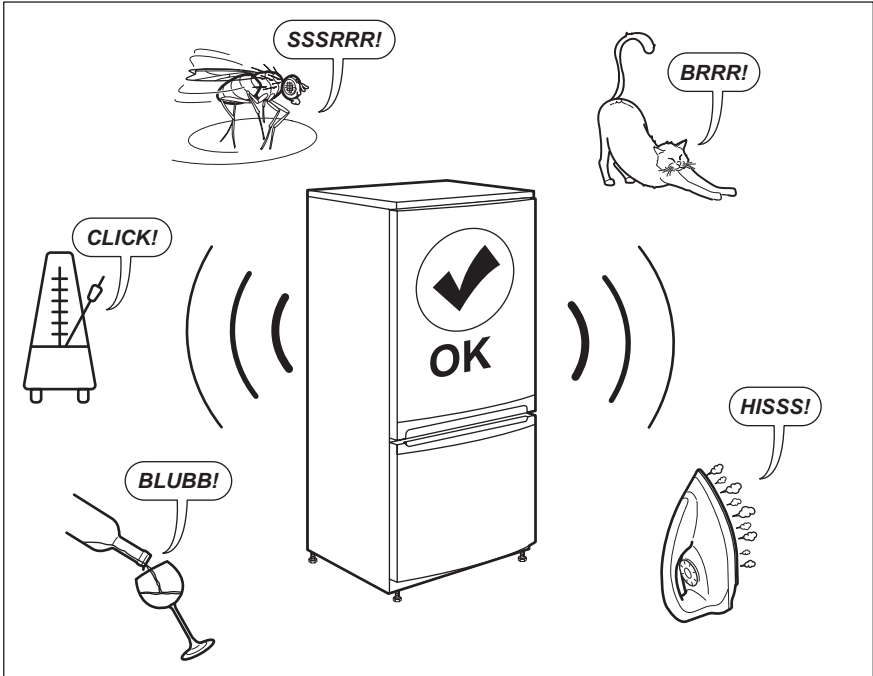
If the problem persists, contact the Authorised Service Centre.

8.2 Closing the door

1. Clean the door gaskets.
2. If necessary, adjust the door. Refer to installation instructions.

3. If necessary, replace the defective door gaskets. Contact the Authorised Service Centre.

9. NOISES



10. TECHNICAL DATA


The technical information is situated in the rating plate on the internal side of the appliance and on the energy label.


11. INFORMATION FOR TEST INSTITUTES

Installation and preparation of the appliance for any EcoDesign verification shall be compliant with UAE.S 5010-3:2022. Ventilation requirements, recess dimensions and minimum rear clearances shall be as

stated in this User Manual in "Installation". Please contact the manufacturer for any other further information, including loading plans.

12. ENVIRONMENTAL CONCERNS

Recycle materials with the symbol . Put the packaging in relevant containers to recycle it. Help protect the environment and human health by recycling waste of electrical and electronic appliances. Do not dispose of

appliances marked with the symbol  with the household waste. Return the product to your local recycling facility or contact your municipal office.



electrolux.com

222382159-B-442024



CE