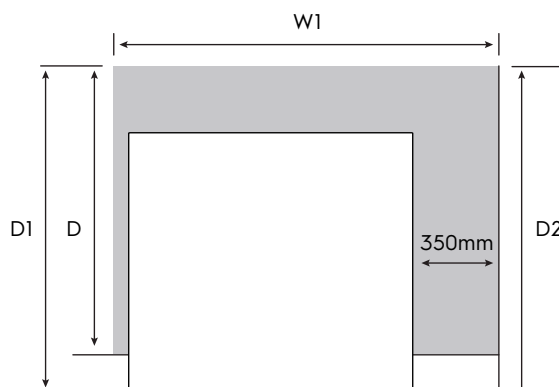
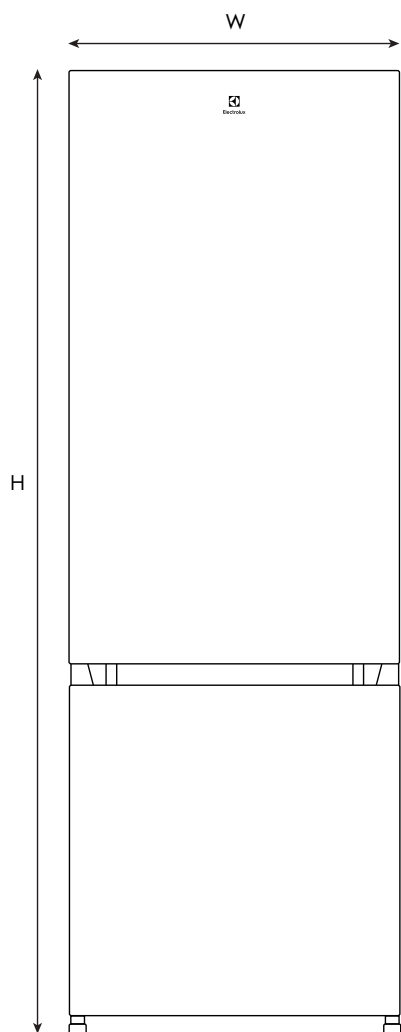


# Dimension Guide

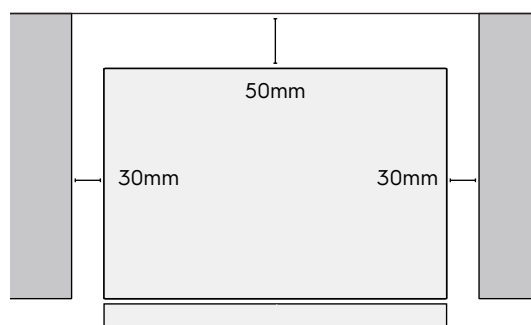
## Bottom freezer refrigerator

### Model:

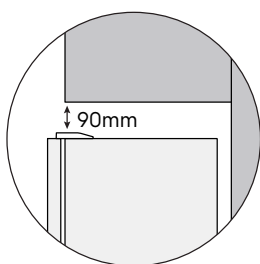
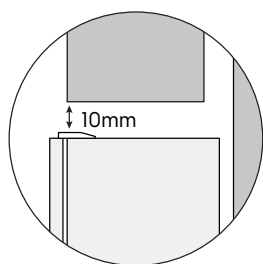
EBM3402L-W



When positioned in a corner area, spacing a minimum of 350mm on the hinge side will allow the doors to open enough to enable the removal of bins and shelves.



Allow a minimum of 30mm clearance on both sides of the refrigerator and 50mm clearance at the back.



Allow a minimum of 10mm clearance above the hinge cover. If you do not have a cupboard with allowance for air flow above the refrigerator, the recommended clearance area on top increases to 90mm.

| Bottom freezer refrigerator | Door width (W) | Total depth (D) | Maximum height (H) | Cabinet width (W1) | Cabinet height (H1) | Cabinet depth (D1) | Depth door open (D2) |
|-----------------------------|----------------|-----------------|--------------------|--------------------|---------------------|--------------------|----------------------|
| EBM3402L-W                  | 598            | 650             | 1756               | 595                | 1740                | 586                | 1199                 |

**Please note!** Dimensions to be used as a guide only. All customers MUST refer to the user manual supplied with the product for detailed installation instructions.

© 2025 Electrolux S.E.A PTE. LTD. ELX\_DIM\_EBM3402L-W\_Dec25